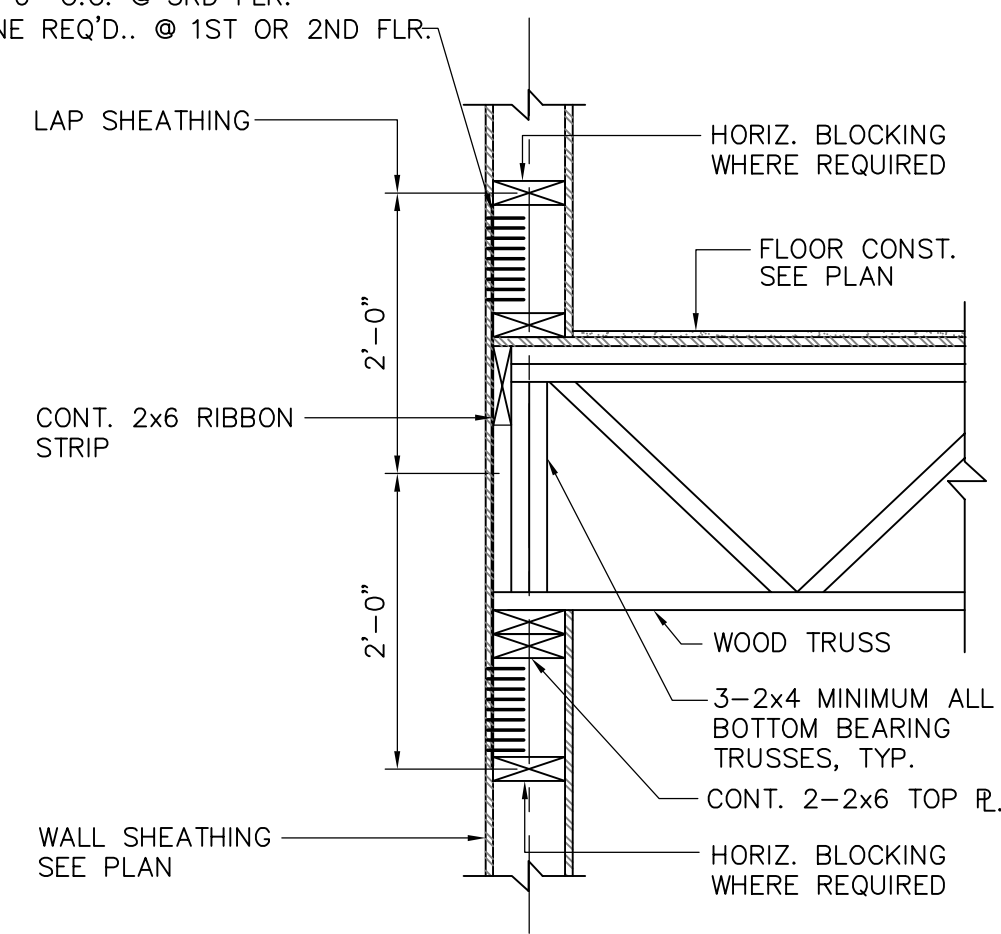
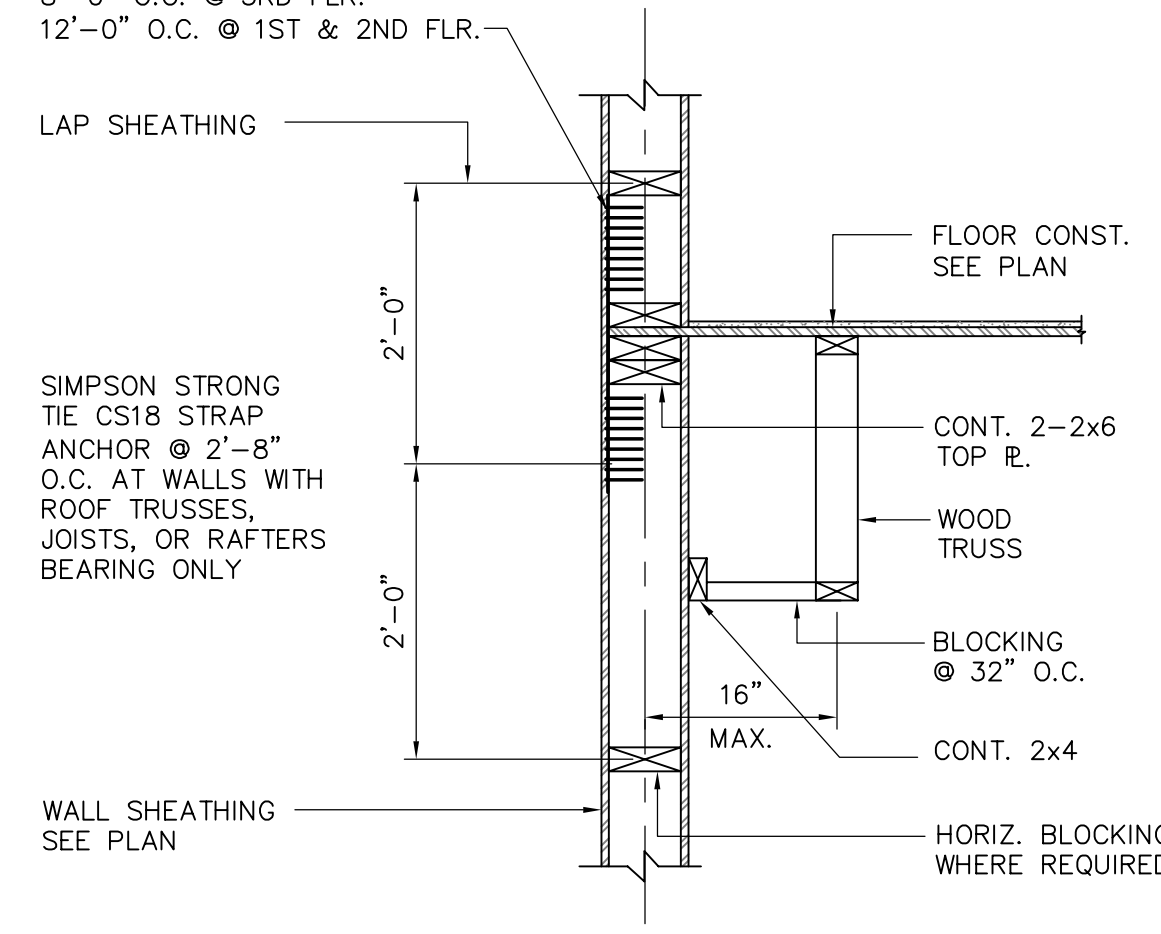


SIMPSON STRONG TIE CS18 STRAP ANCHOR AT WALLS WITH ROOF TRUSSES, JOISTS, OR RAFTERS BEARING ONLY. LOCATE TO EA. SIDE OF EA. OPN'G. AND SPACE AS FOLLOWS:  
 4'-0" O.C. @ 4TH FLR.  
 12'-0" O.C. @ 3RD FLR.  
 NONE REQ'D. @ 1ST OR 2ND FLR.

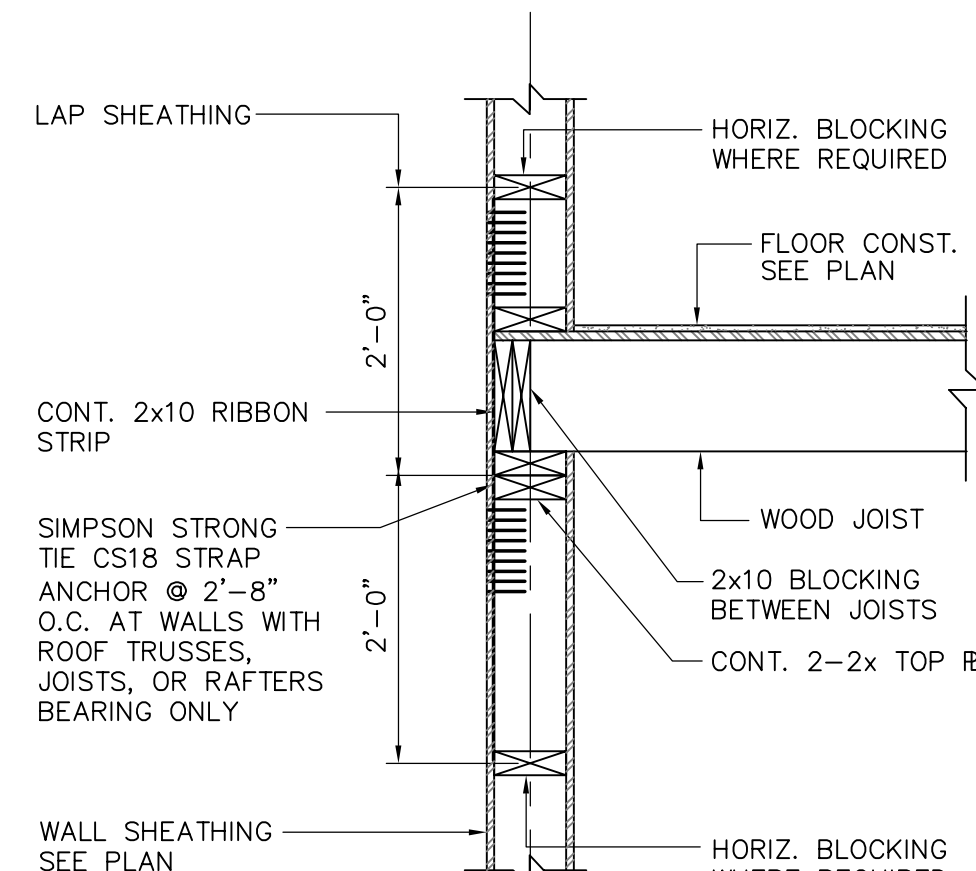


SECTION 1  
3/4" = 1'-0"

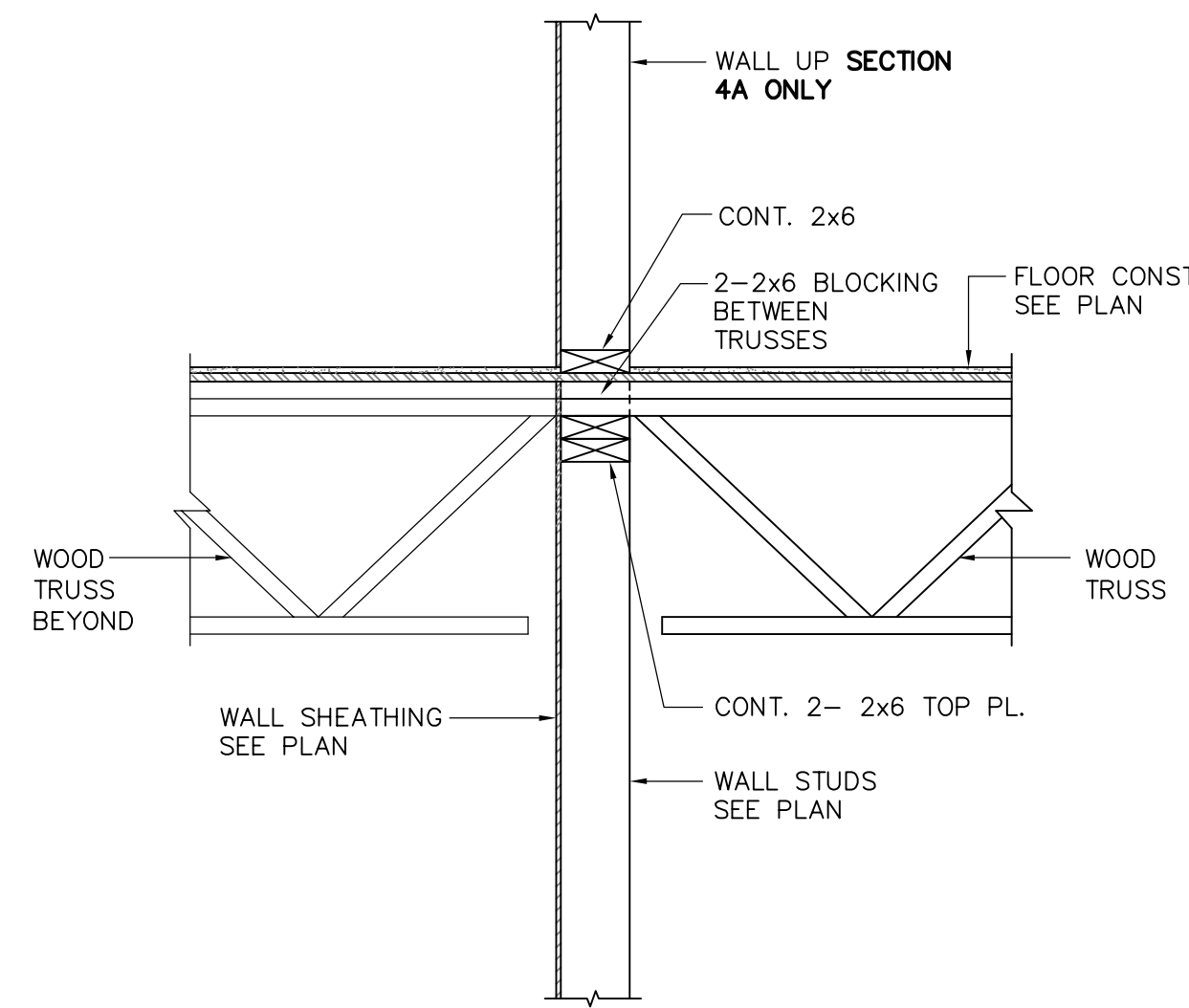
SIMPSON STRONG TIE CS18 STRAP ANCHOR AT WALLS WITH ROOF TRUSSES, JOISTS, OR RAFTERS BEARING ONLY. LOCATE TO EA. SIDE OF EA. OPN'G. AND SPACE AS FOLLOWS:  
 4'-0" O.C. @ 4TH FLR.  
 8'-0" O.C. @ 3RD FLR.  
 12'-0" O.C. @ 1ST & 2ND FLR.



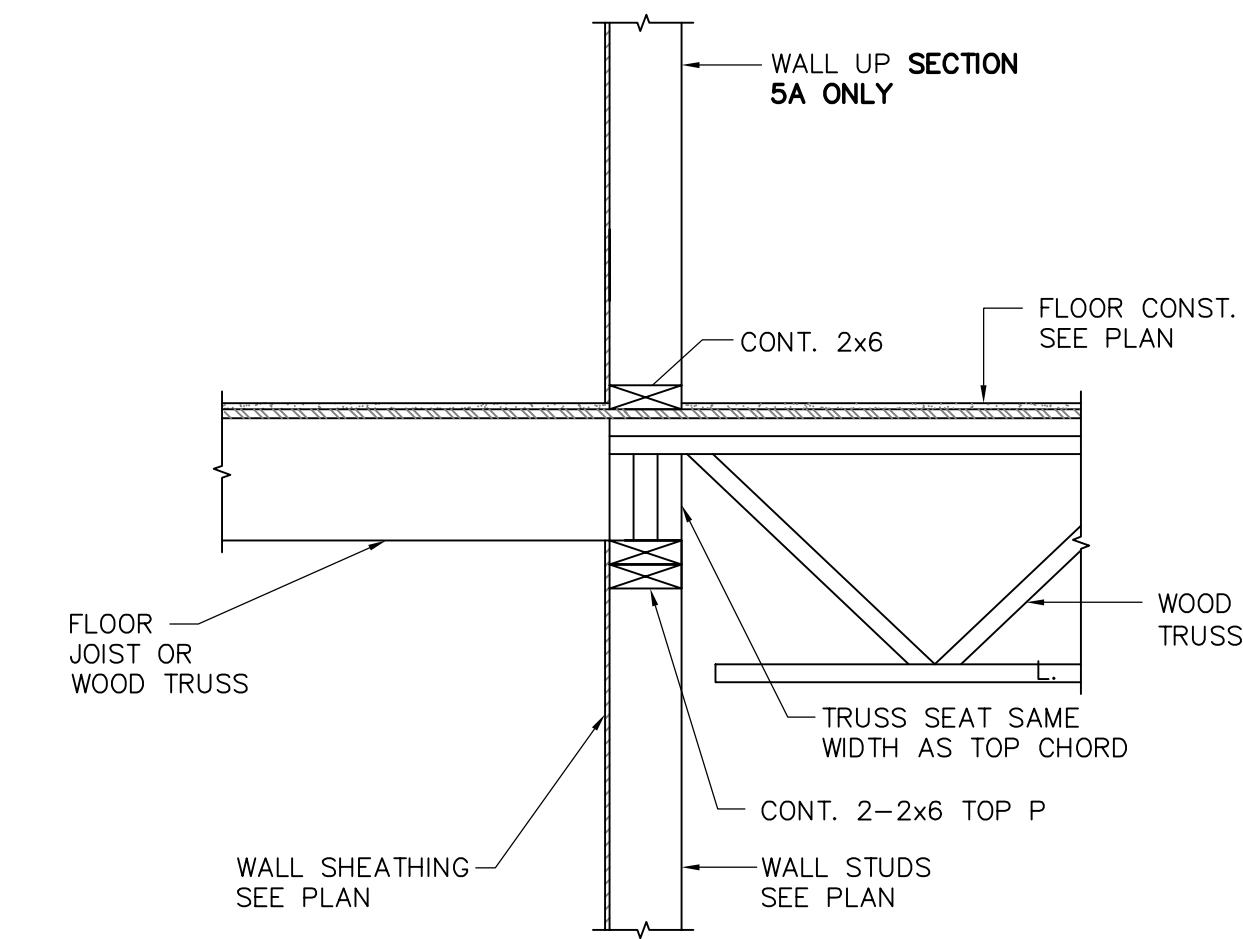
SECTION 2  
3/4" = 1'-0"



SECTION 3  
3/4" = 1'-0"

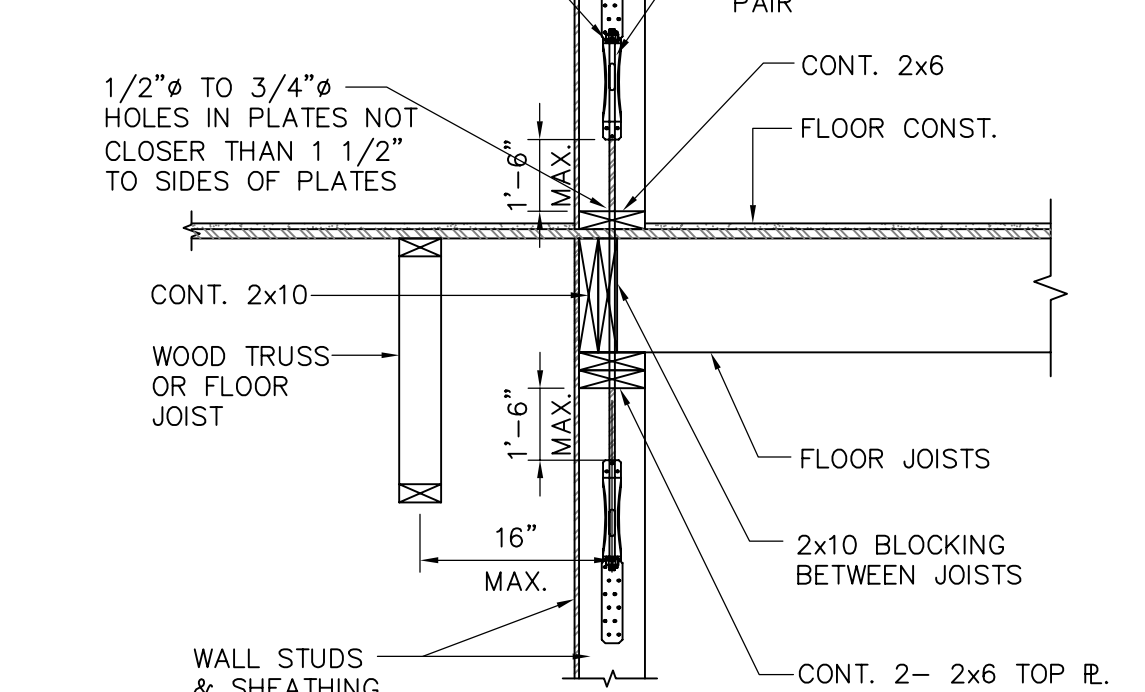


SECTION 4A ONLY  
3/4" = 1'-0"

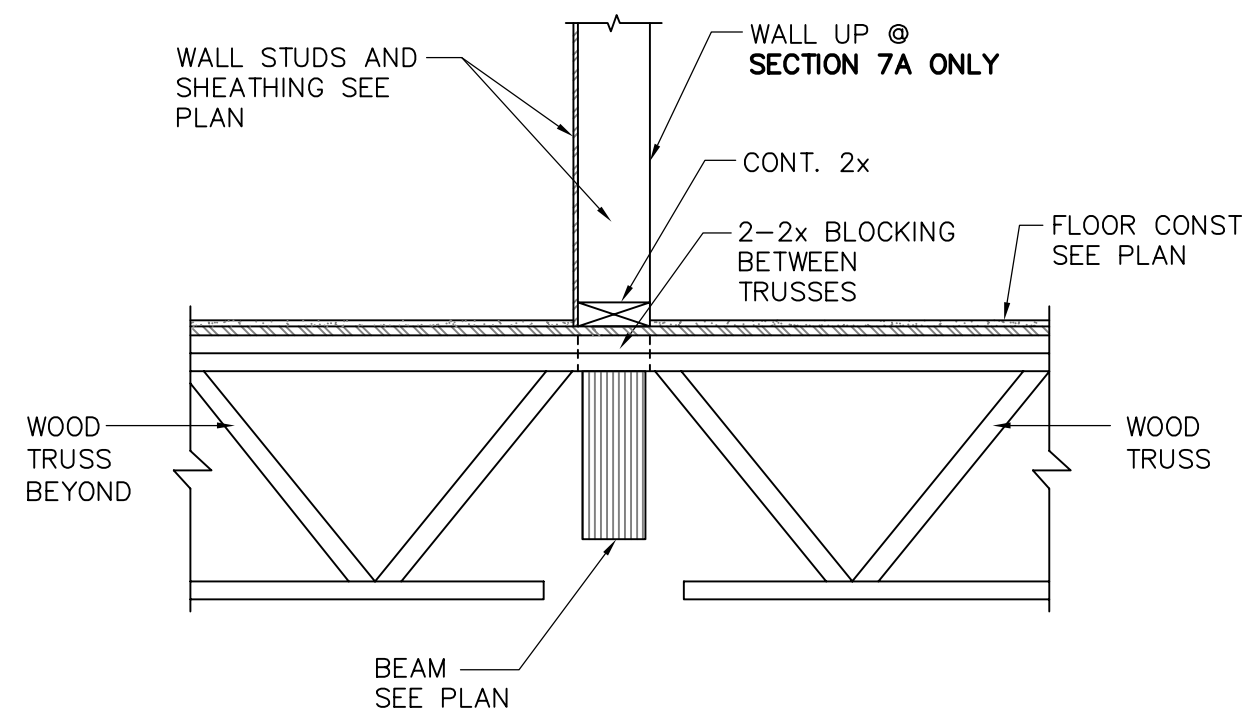


SECTION 5A ONLY  
3/4" = 1'-0"

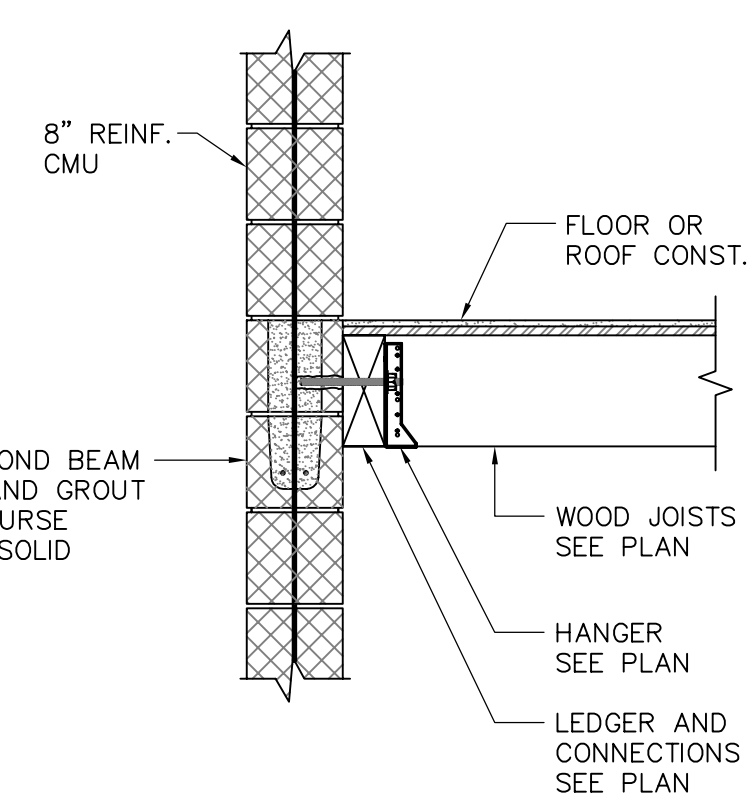
SIMPSON FSC ABOVE AND BELOW FOR WALLS WITH ROOF TRUSSES, JOISTS, OR RAFTERS BEARING ONLY. LOCATE TO EA. SIDE OF EA. OPN'G. AND SPACE AS FOLLOWS:  
 8'-0" O.C. @ 4TH FLR.  
 16'-0" O.C. @ 3RD FLR.  
 NONE REQ'D. @ 1ST OR 2ND FLR.



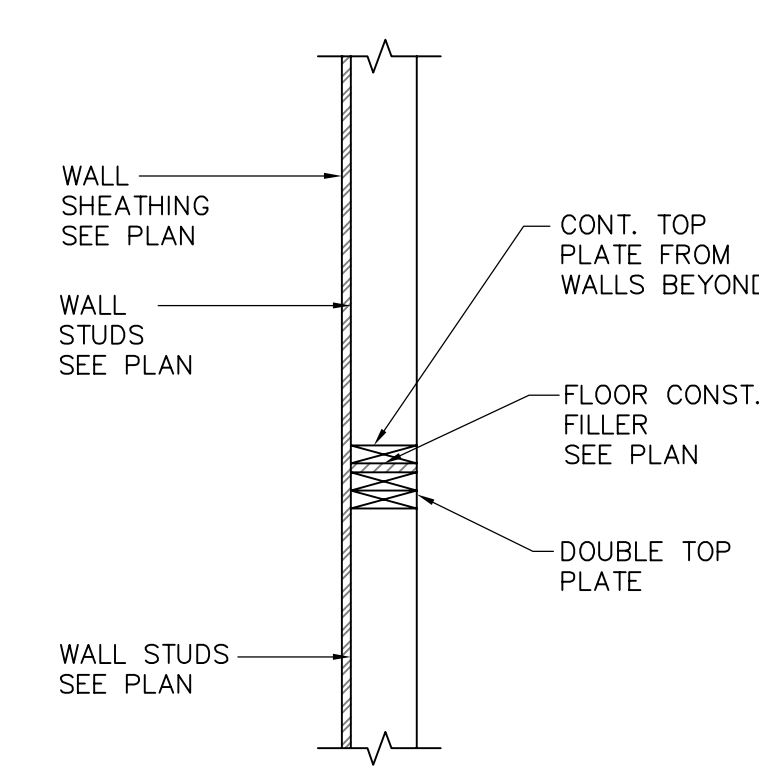
SECTION 6  
3/4" = 1'-0"



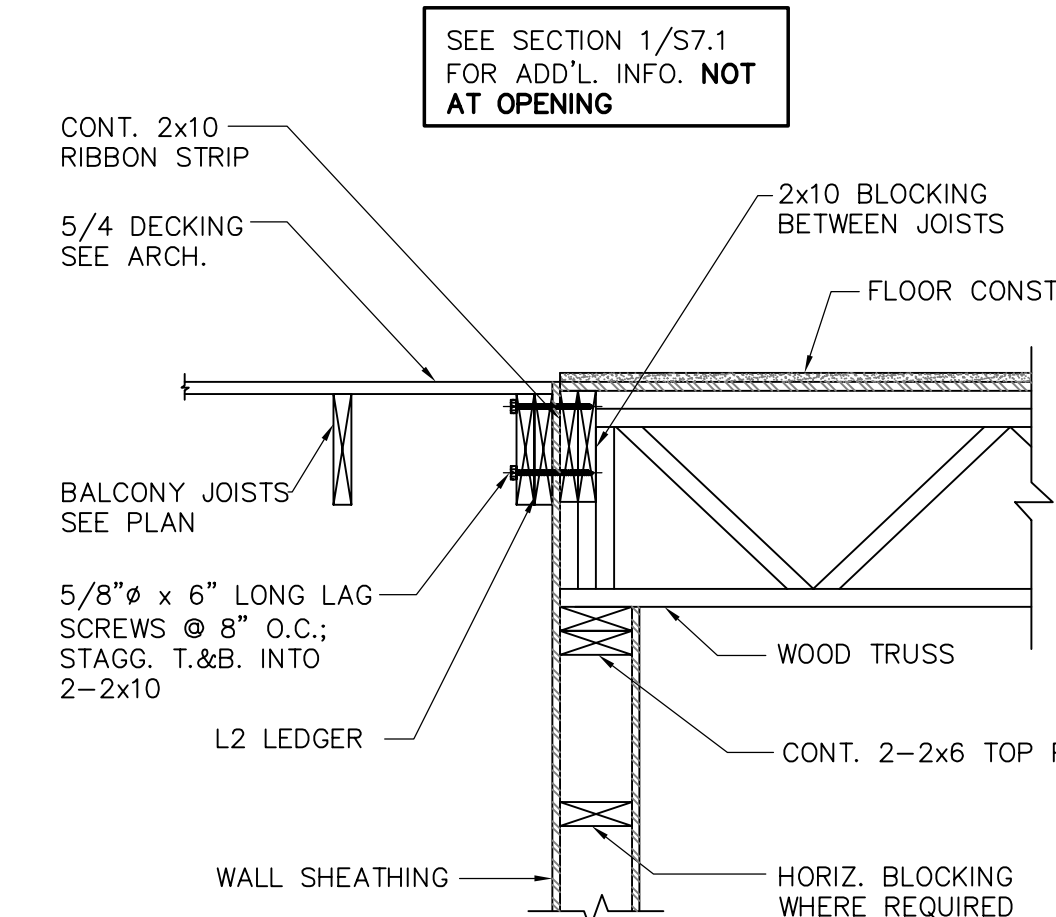
SECTION 7A  
3/4" = 1'-0"



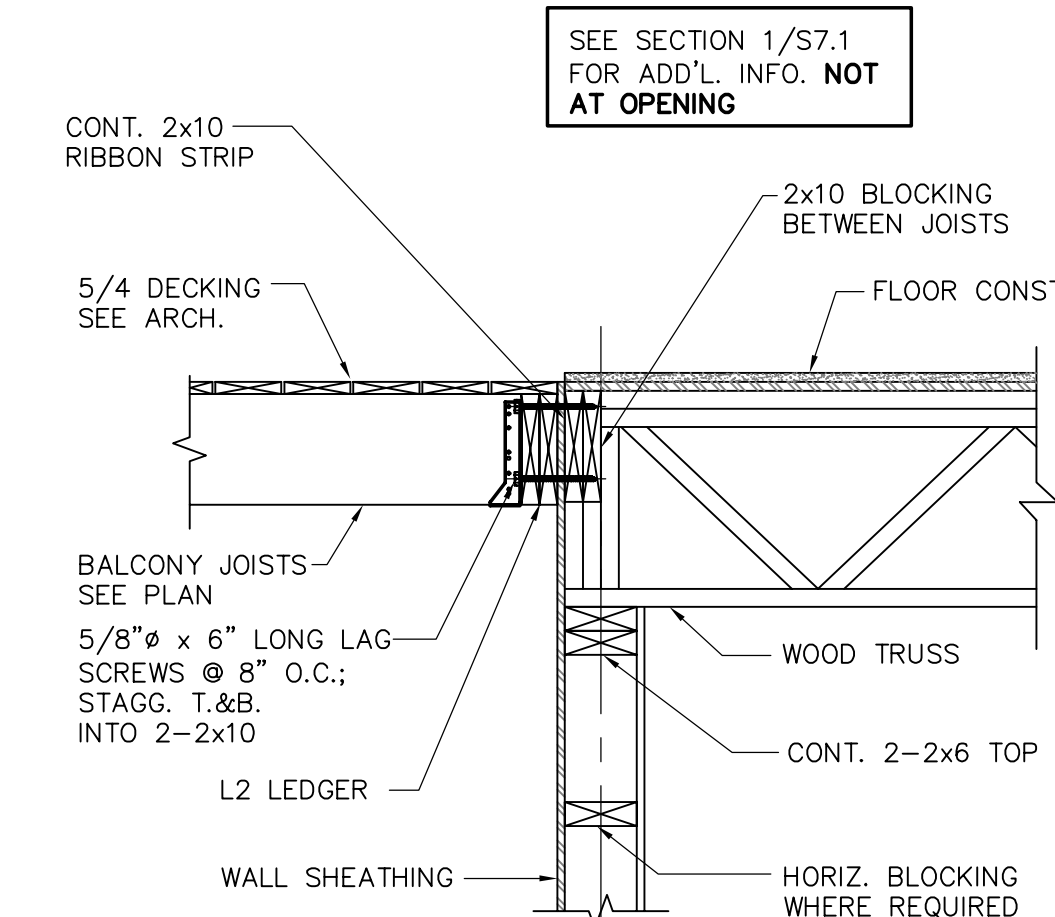
SECTION 8  
3/4" = 1'-0"



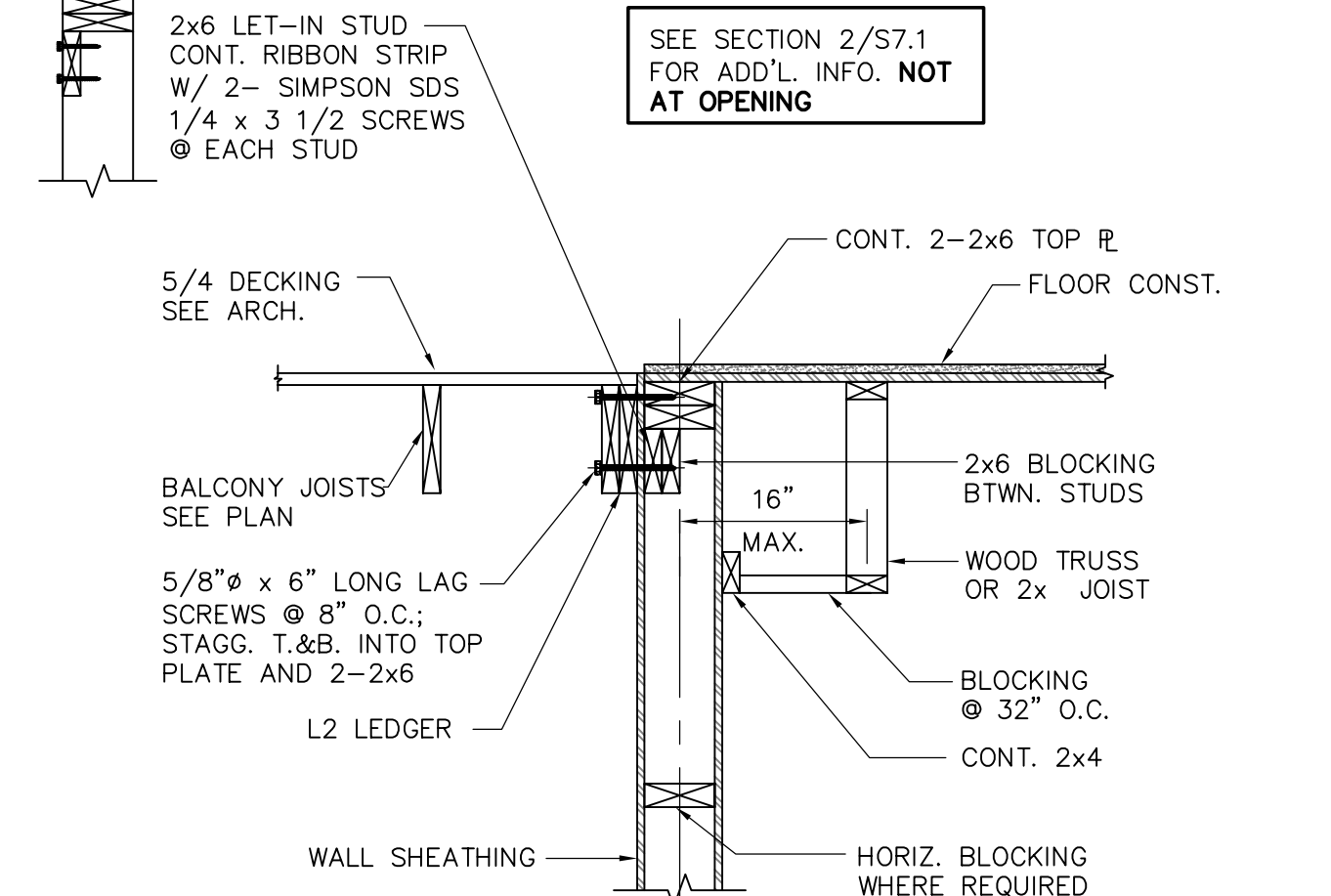
SECTION 9  
3/4" = 1'-0"



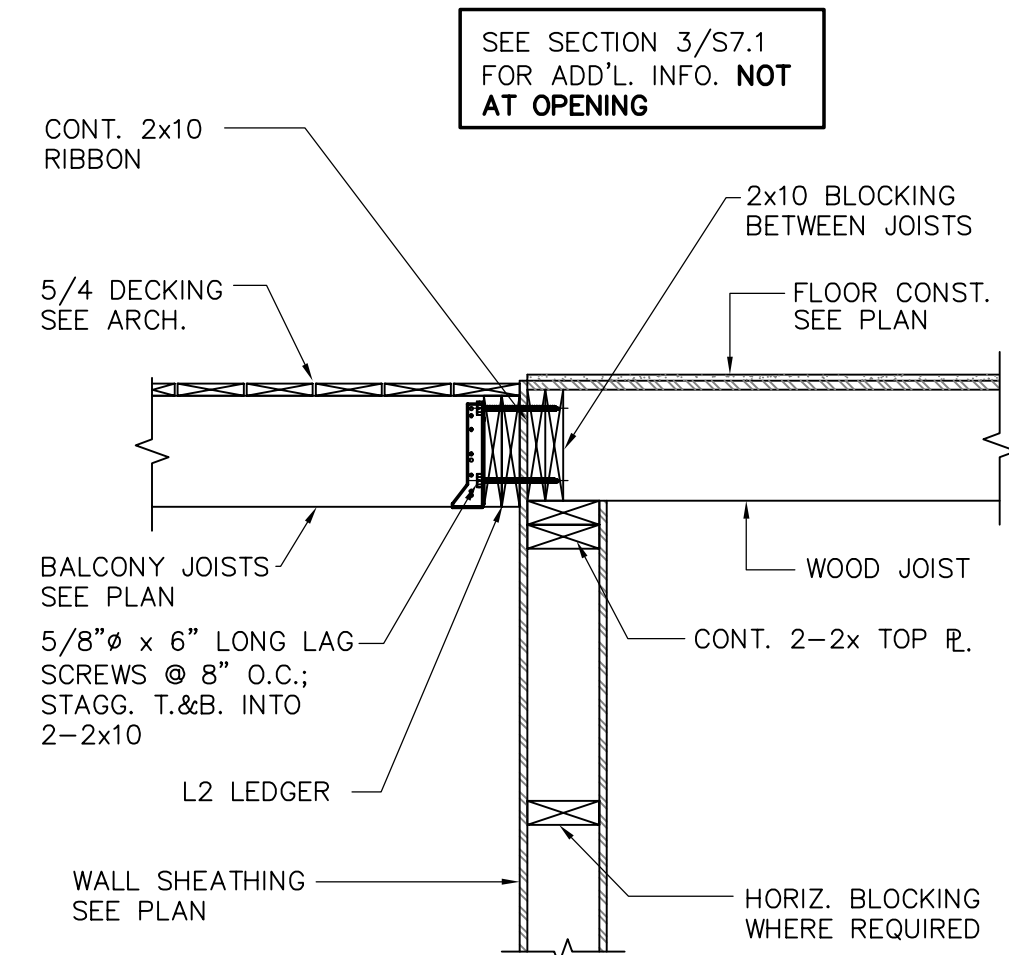
SECTION 10  
3/4" = 1'-0"



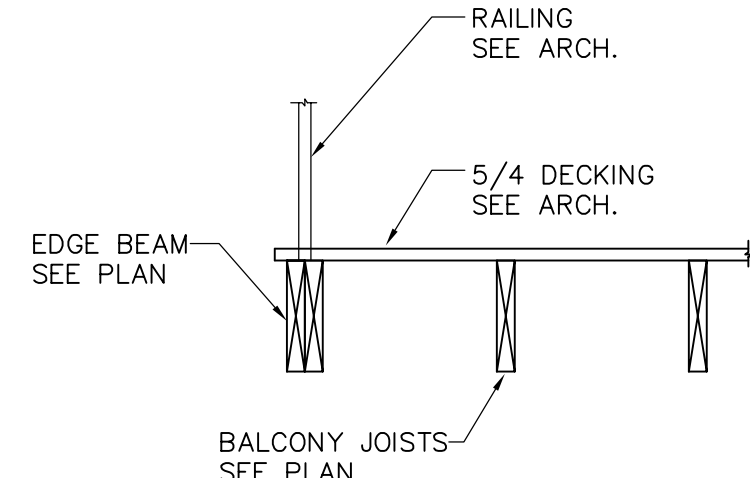
SECTION 11  
3/4" = 1'-0"



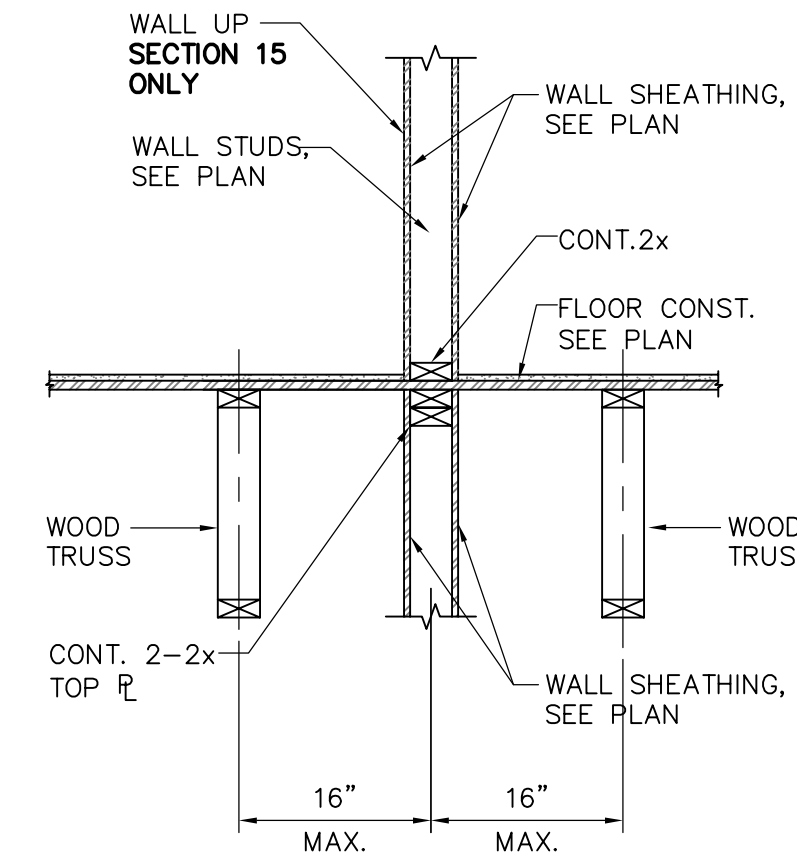
SECTION 12  
3/4" = 1'-0"



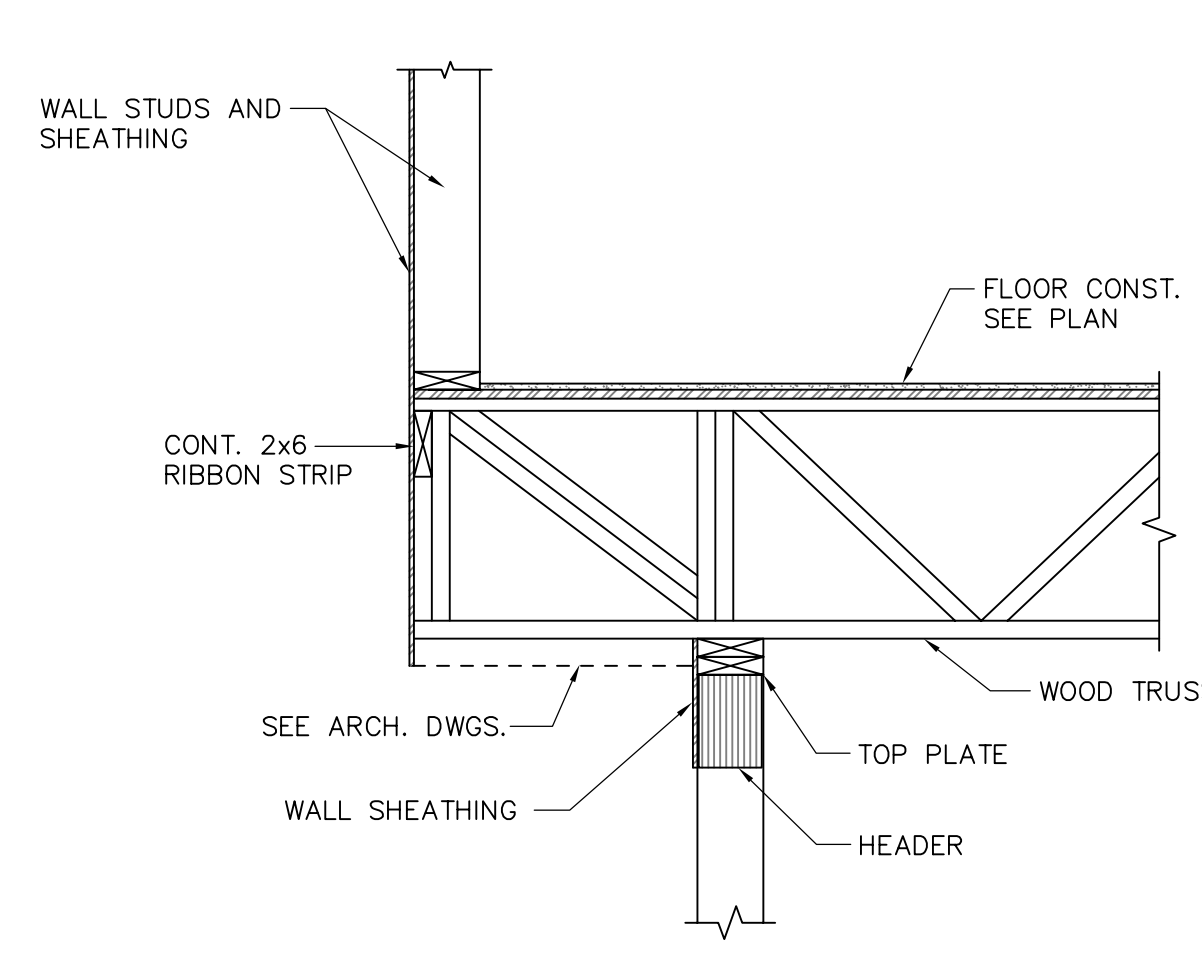
SECTION 13  
3/4" = 1'-0"



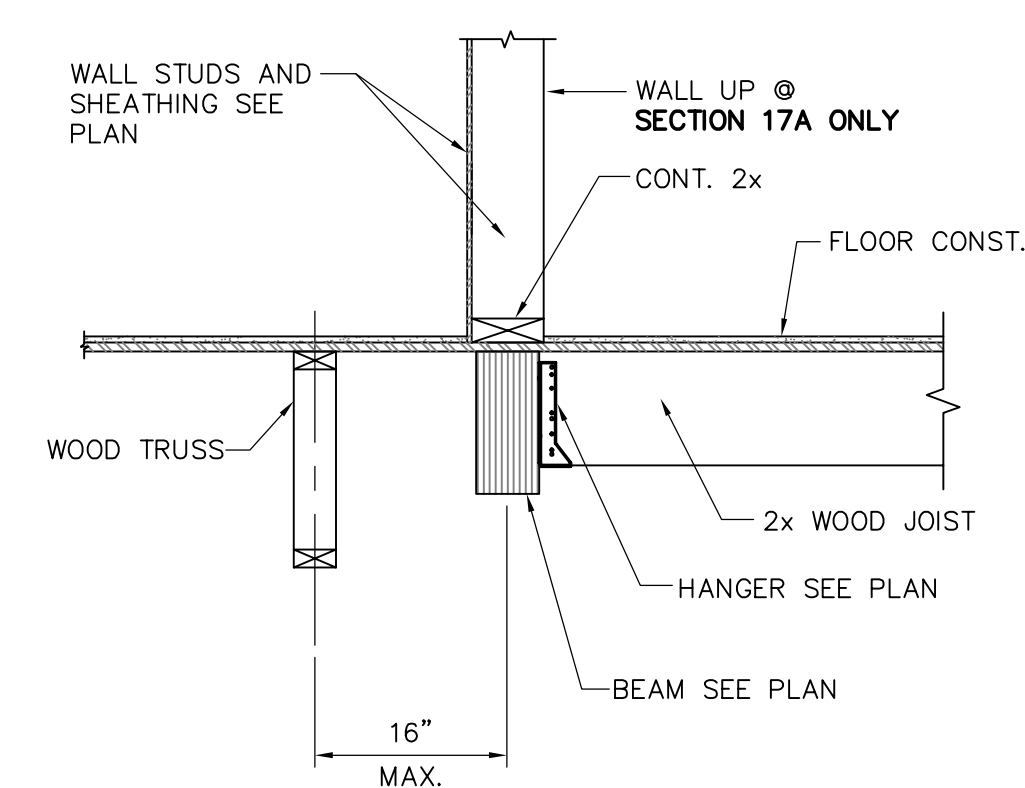
SECTION 14  
3/4" = 1'-0"



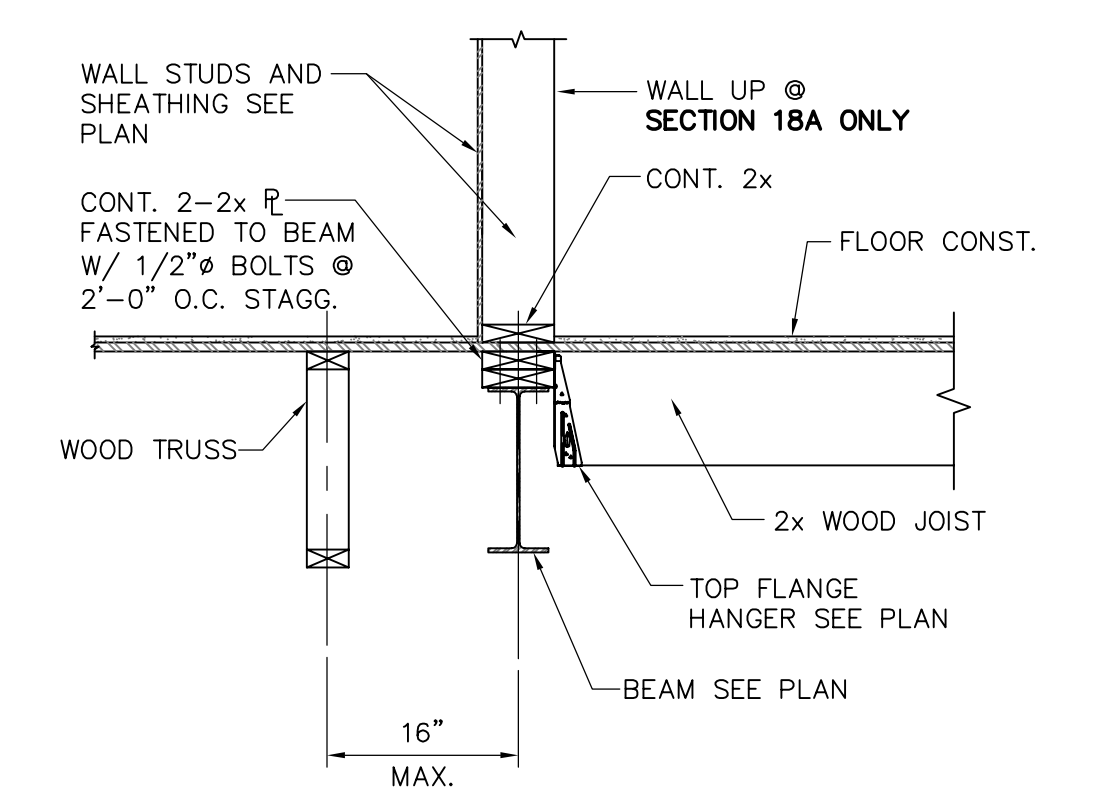
SECTION 15  
3/4" = 1'-0"



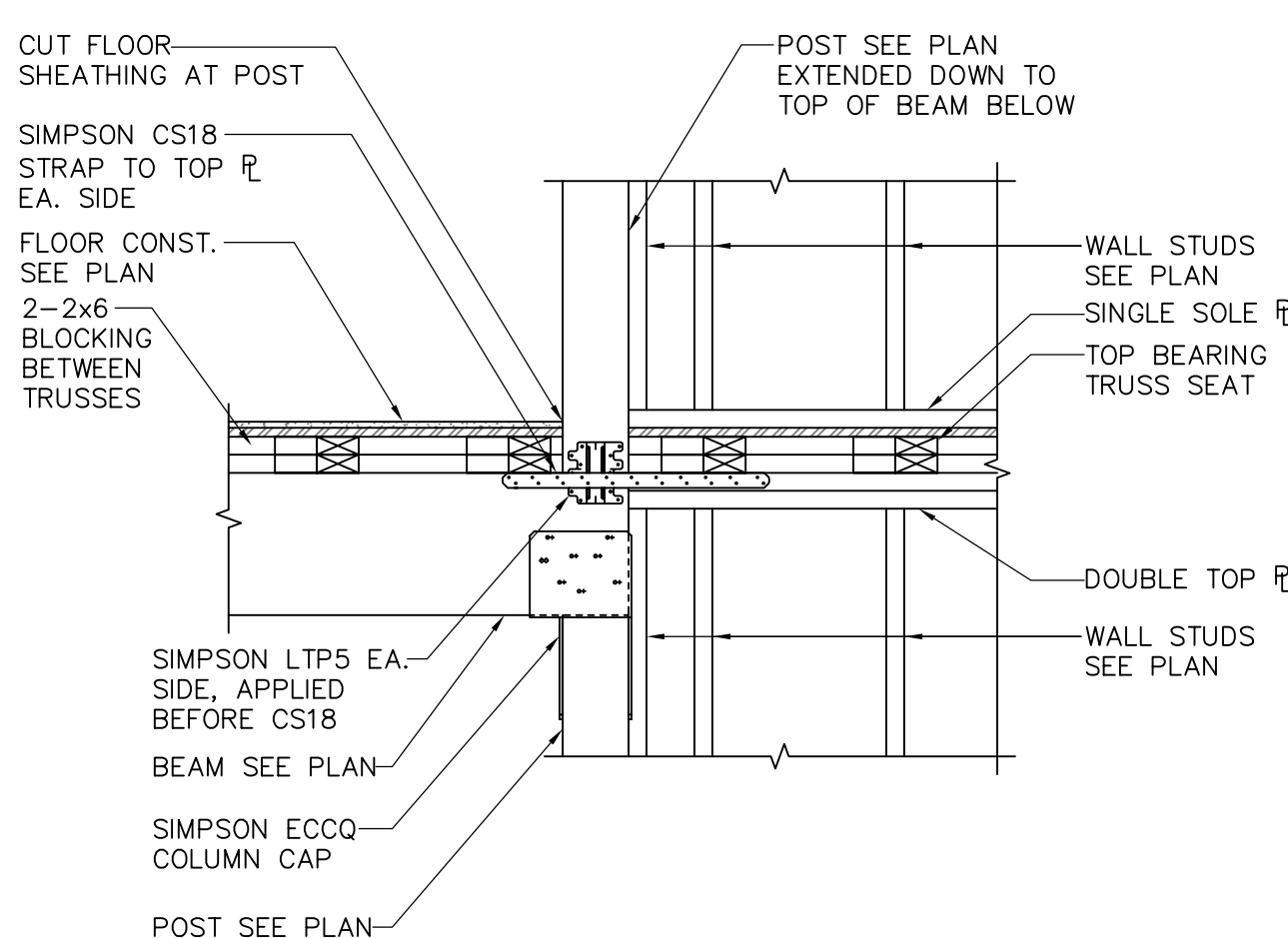
SECTION 16  
3/4" = 1'-0"



SECTION 17A  
3/4" = 1'-0"



SECTION 18A  
3/4" = 1'-0"



SECTION 19  
3/4" = 1'-0"