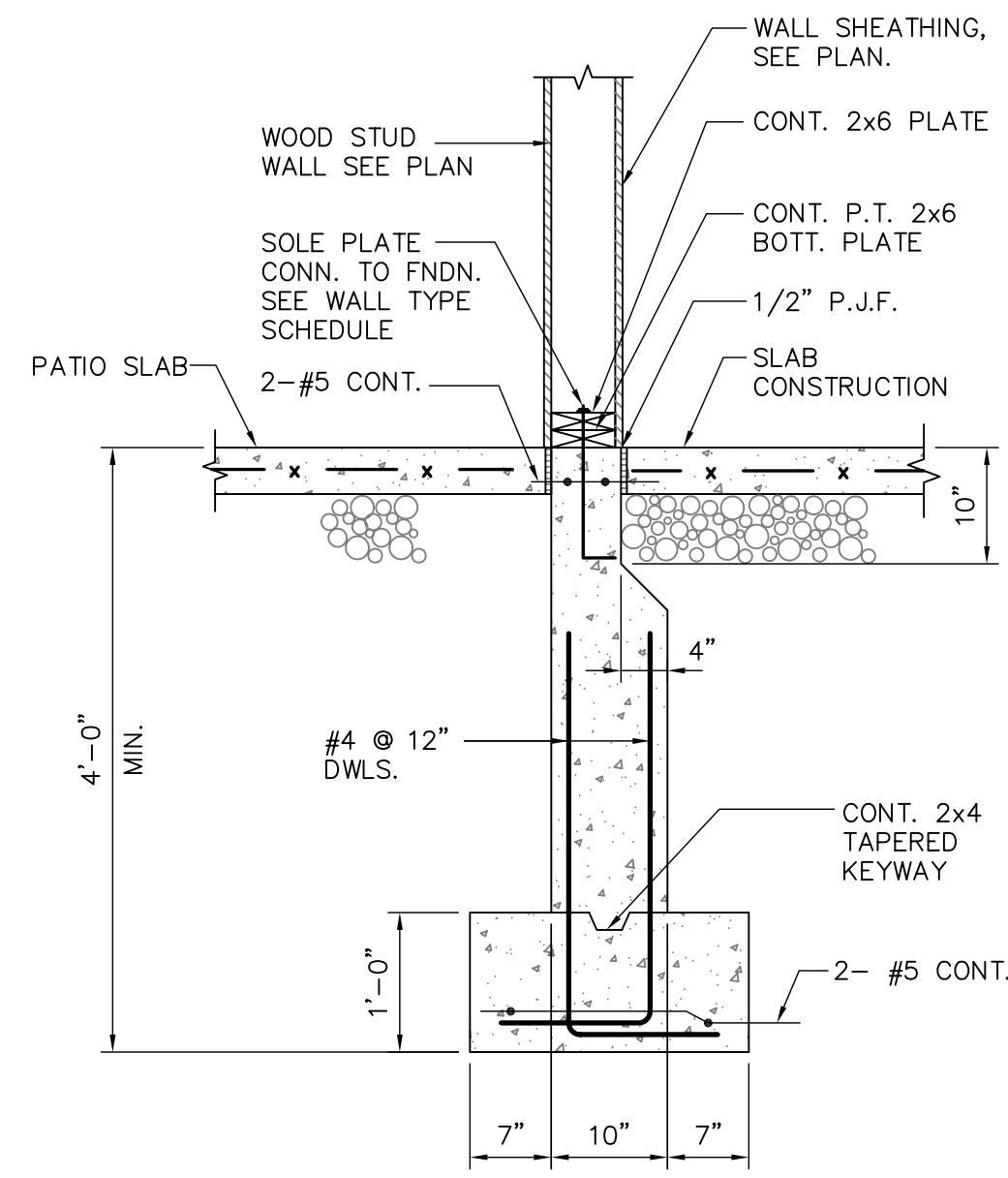
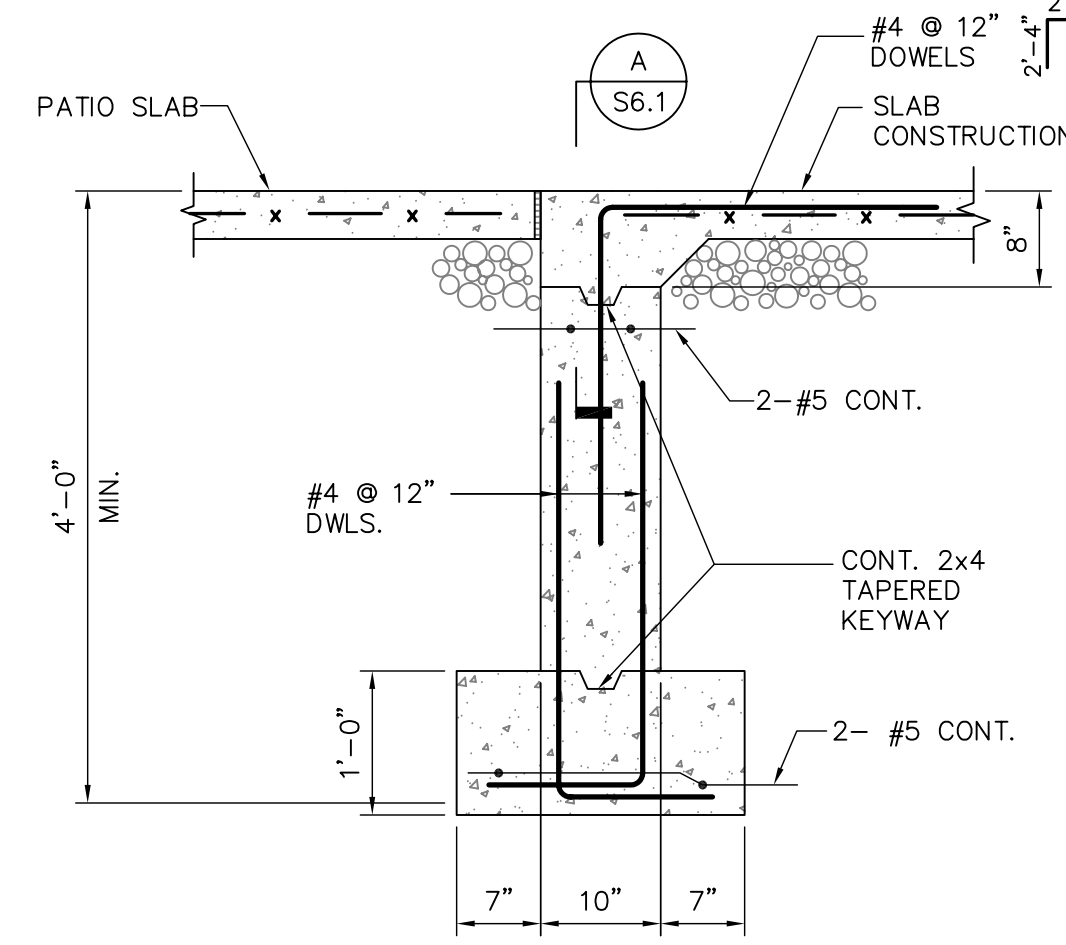


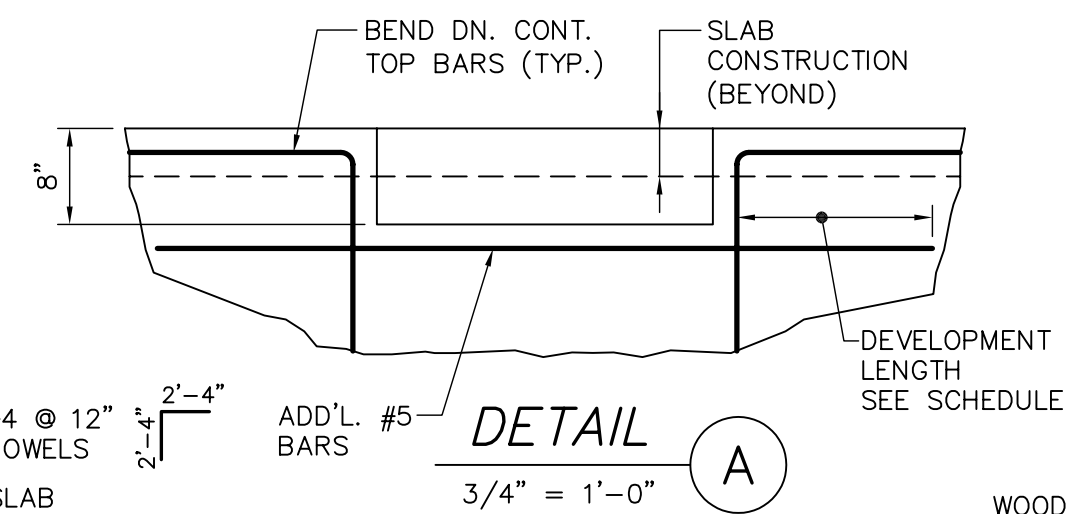
SECTION 1  
3/4" = 1'-0"



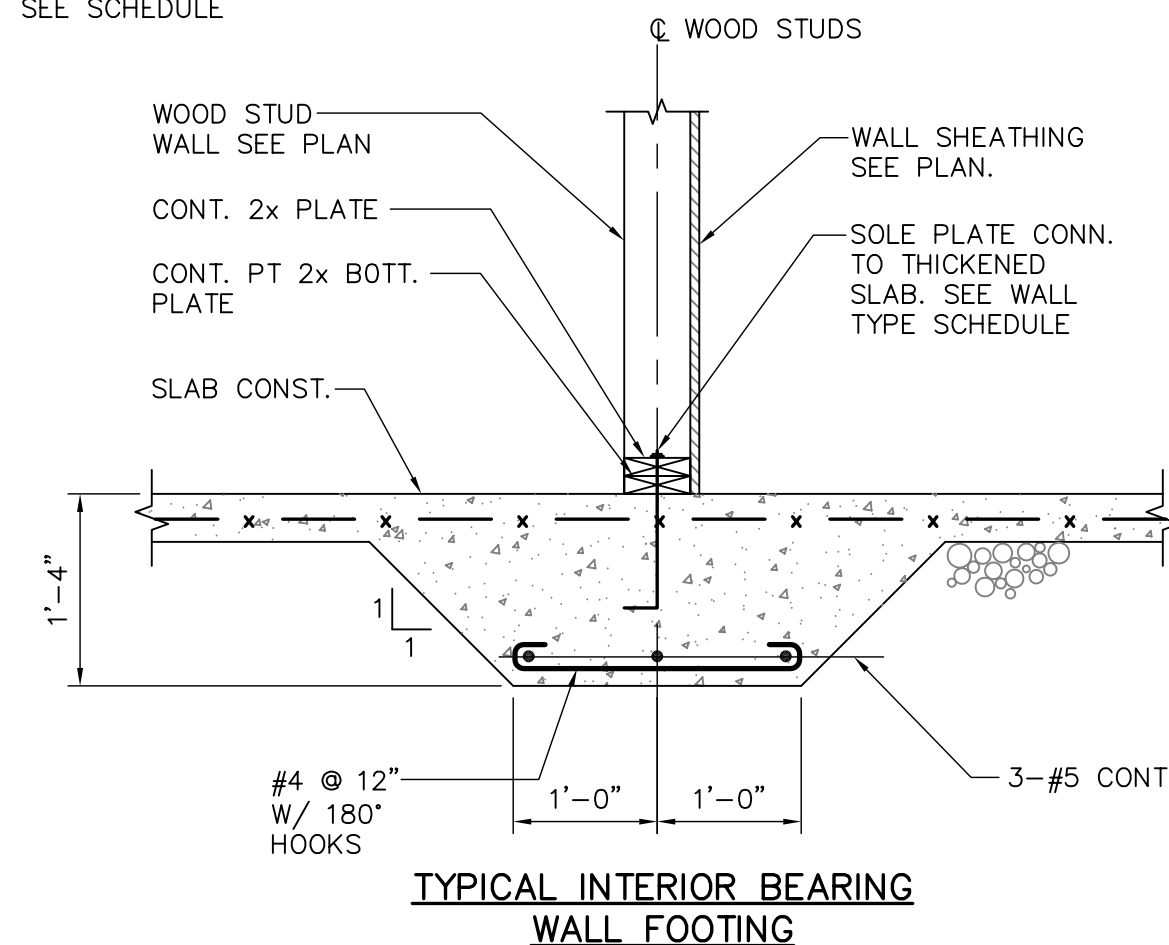
SECTION 2  
3/4" = 1'-0"



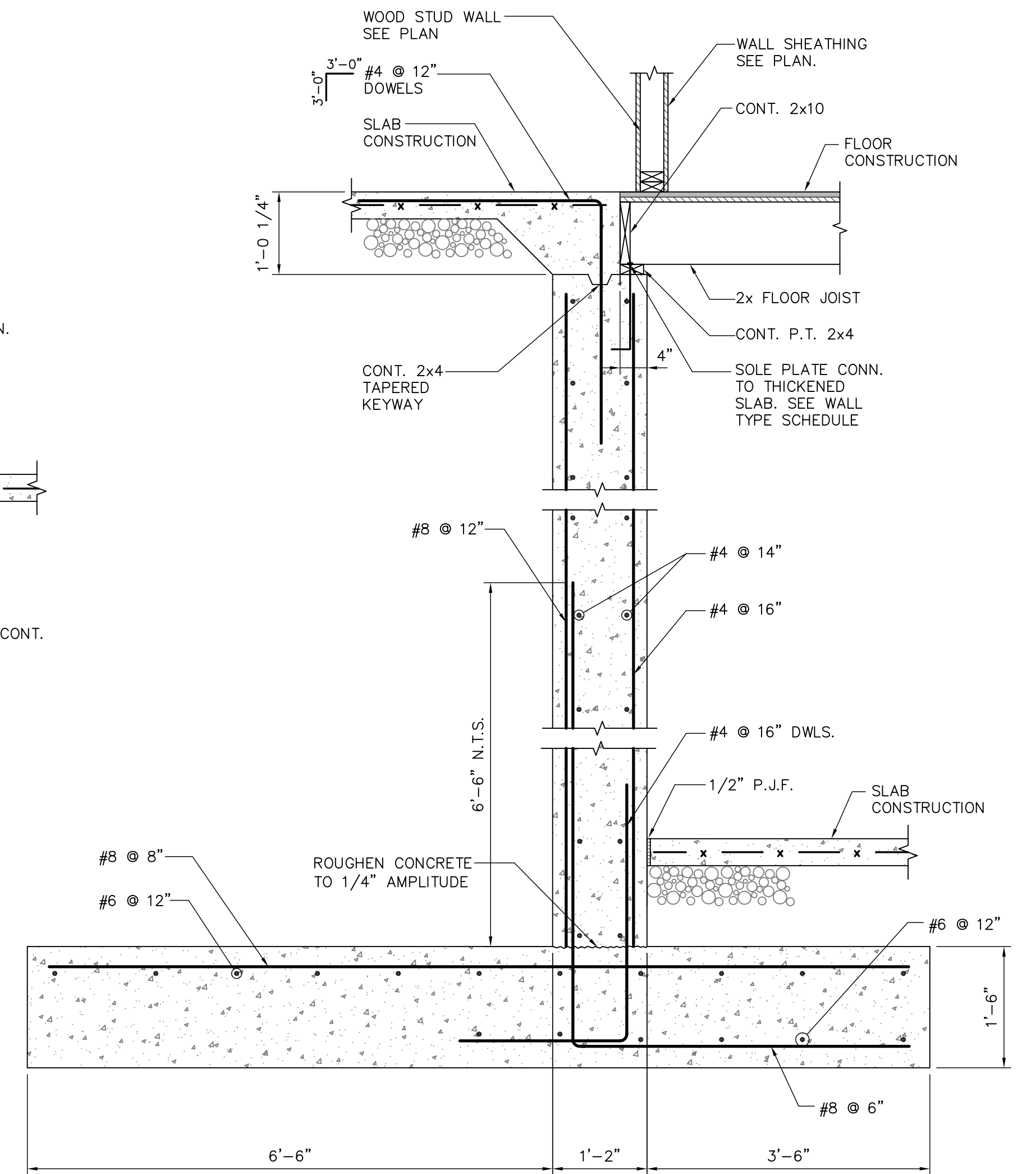
SECTION 3  
3/4" = 1'-0"



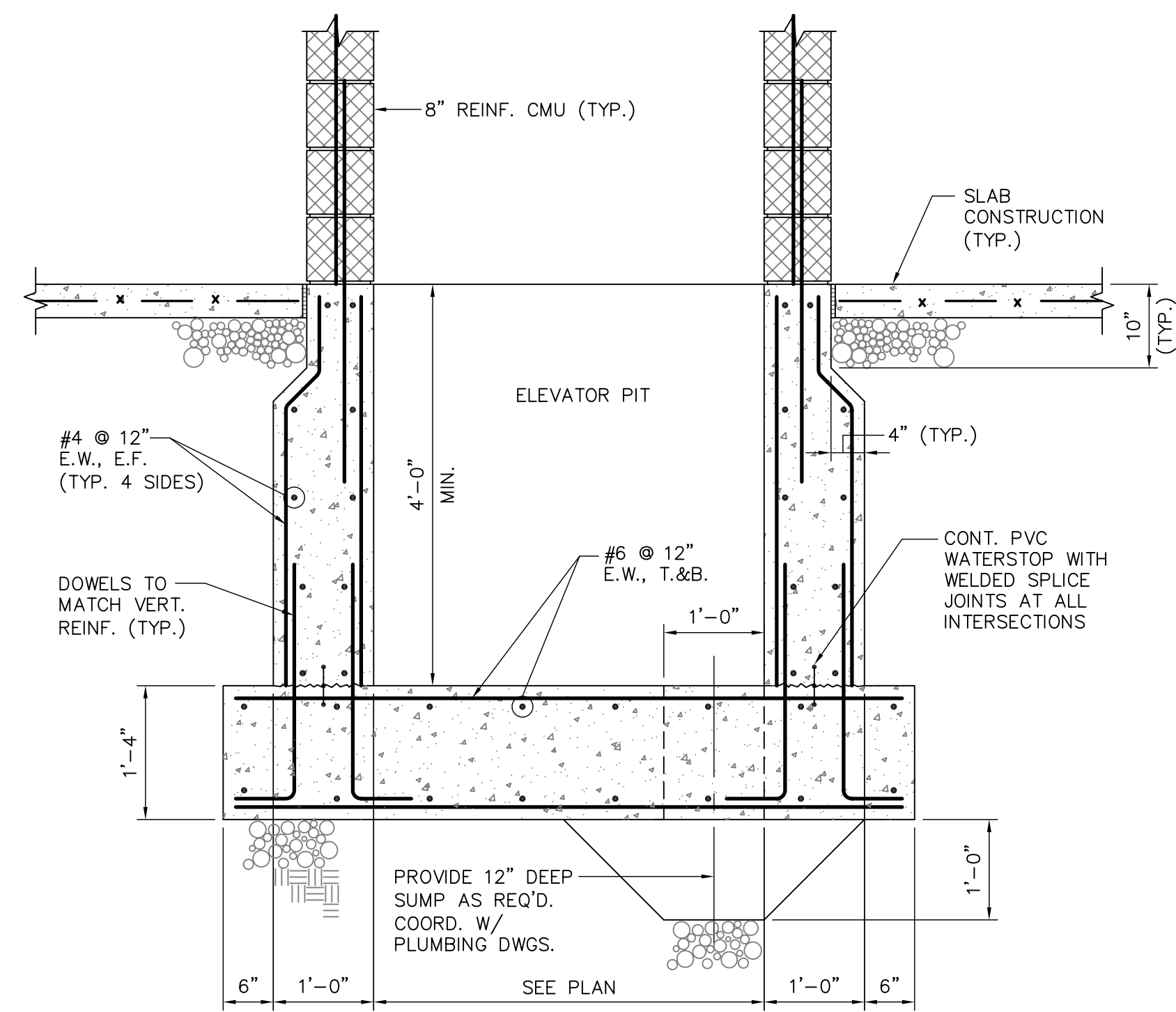
DETAIL A  
3/4" = 1'-0"



TYPICAL INTERIOR BEARING WALL FOOTING  
SECTION 4  
3/4" = 1'-0"



SECTION 5  
3/4" = 1'-0"



SECTION 6  
3/4" = 1'-0"

Lynnfield Commons Unknown Street Lynnfield, Massachusetts		FOUNDATION SECTIONS	
Russell Scott Steedle & Capone Architects Inc. 18 Brattle Street, Cambridge, Massachusetts • 617-661-5880 • Fax 661-0813		Date: 08/31/07	07162
DM Berg Consultants P.C. Structural Engineers 370 Hillside Ave., Needham, Massachusetts • 617-444-5158 • Fax 444-5157		Date: 09/14/07	S6.1
		Scale:	