

1/2" PLYWOOD SPACER
2 - 2x HEADER
NOTE: PROVIDE 2 - 1/2" PLYWOOD SPACERS AT 3-2x HEADERS

2 - 1 3/4" LVL HEADER
NOTE: PROVIDE 1/4" PLYWOOD OR OSB AT 3 - 1 3/4" LVL HEADERS

TYPICAL BUILT-UP HEADERS

- NOTES:**
- IN SCHEDULE INDICATES CONDITION THAT DOES NOT REQUIRE A HEADER.
 - AT BEARING WALLS PROVIDE CRIPPLE STUDS UNDER EACH JAMB AND JACK STUD GROUP BETWEEN THE TOP PLATE AND FLOOR SHEATHING ABOVE. CRIPPLE STUDS TO MATCH THE JAMB AND JACK STUD QUANTITY INDICATED FOR THE OPENING ABOVE.
 - AT UPPER FLOOR HEADER JAMB STUD GROUPS THAT DO NOT ALIGN OVER LOWER FLOOR HEADER JAMB AND JACK STUD GROUPS, PROVIDE POSTS AT ALL LEVELS BELOW EACH JAMB AND JACK STUD GROUP TO MATCH THE JAMB AND JACK STUD QUANTITY INDICATED FOR THE OPENING ABOVE.
 - UNLESS OTHERWISE NOTED, HEADERS AT FLOOR LEVELS SIZED ASSUMING OPENING ABOVE IS EQUAL OR LARGER THAN OPENING IN QUESTION, OTHERWISE SIZES MUST BE INCREASED.

HEADER SCHEDULE FOR EXTERIOR WALLS W/2x6 STUDS - ROOF BEARING, FLOOR NON-BEARING																
(UNLESS OTHERWISE NOTED ON DRAWINGS)																
MARK	ROUGH OPENING WIDTH	SUPPORTING ROOF			SUPPORTING ROOF + 1 FLOOR			SUPPORTING ROOF + 2 FLOORS			SUPPORTING ROOF + 3 FLOORS			SUPPORTING ROOF + 4 FLOORS		
		HEADER	JACK	JAMB	HEADER	JACK	JAMB	HEADER	JACK	JAMB	HEADER	JACK	JAMB	HEADER	JACK	JAMB
H	0'-0" TO 3'-2"	3-2x8	1-2x6	1-2x6	3-2x6	1-2x6	1-2x6	3-2x6	1-2x6	1-2x6	3-2x6	1-2x6	1-2x6	3-2x6	1-2x6	1-2x6
	>3'-2" TO 8'-2"	3-1 3/4"x 7 1/4" LVL	1-2x6	1-2x6	3-2x8	1-2x6	2-2x6	3-2x8	1-2x6	2-2x6	3-2x8	1-2x6	2-2x6	3-2x8	1-2x6	2-2x6
H1	SEE PLAN	-	-	-	-	-	-	-	-	-	3-1 3/4"x 5 1/2" LVL	1-2x6	1-2x6	3-2x8	1-2x6	1-2x6

HEADER SCHEDULE FOR EXTERIOR WALLS W/2x6 STUDS - ROOF BEARING, FLOOR BEARING																
(UNLESS OTHERWISE NOTED ON DRAWINGS)																
MARK	ROUGH OPENING WIDTH	SUPPORTING ROOF			SUPPORTING ROOF + 1 FLOOR			SUPPORTING ROOF + 2 FLOORS			SUPPORTING ROOF + 3 FLOORS			SUPPORTING ROOF + 4 FLOORS		
		HEADER	JACK	JAMB	HEADER	JACK	JAMB	HEADER	JACK	JAMB	HEADER	JACK	JAMB	HEADER	JACK	JAMB
H	0'-0" TO 3'-2"	3-2x8	1-2x6	1-2x6	3-2x8	1-2x6	1-2x6	3-2x8	1-2x6	1-2x6	3-2x8	1-2x6	1-2x6	3-2x8	1-2x6	1-2x6
	>3'-2" TO 6'-2"	3-2x8	1-2x6	1-2x6	3-1 3/4"x 7 1/4" LVL	2-2x6	1-2x6	3-1 3/4"x 7 1/4" LVL	2-2x6	2-2x6	3-1 3/4"x 7 1/4" LVL	2-2x6	3-2x6	3-1 3/4"x 7 1/4" LVL	2-2x6	6x6

HEADER SCHEDULE FOR EXTERIOR WALLS W/2x4 STUDS AT MECH. CLOSETS																
(UNLESS OTHERWISE NOTED ON DRAWINGS)																
MARK	ROUGH OPENING WIDTH	SUPPORTING ROOF			SUPPORTING ROOF + 1 FLOOR			SUPPORTING ROOF + 2 FLOORS			SUPPORTING ROOF + 3 FLOORS			SUPPORTING ROOF + 4 FLOORS		
		HEADER	JACK	JAMB	HEADER	JACK	JAMB	HEADER	JACK	JAMB	HEADER	JACK	JAMB	HEADER	JACK	JAMB
H	0'-0" TO 2'-2"	2-2x6	1-2x4	1-2x4	2-2x6	1-2x4	1-2x4	2-2x6	1-2x4	1-2x4	2-2x6	1-2x4	1-2x4	2-2x6	1-2x4	1-2x4
	>2'-2" TO 3'-2"	2-2x6	1-2x4	1-2x4	2-2x8	1-2x4	1-2x4	2-2x8	1-2x4	2-2x4	2-2x8	1-2x4	3-2x4	2-2x8	1-2x4	4x6

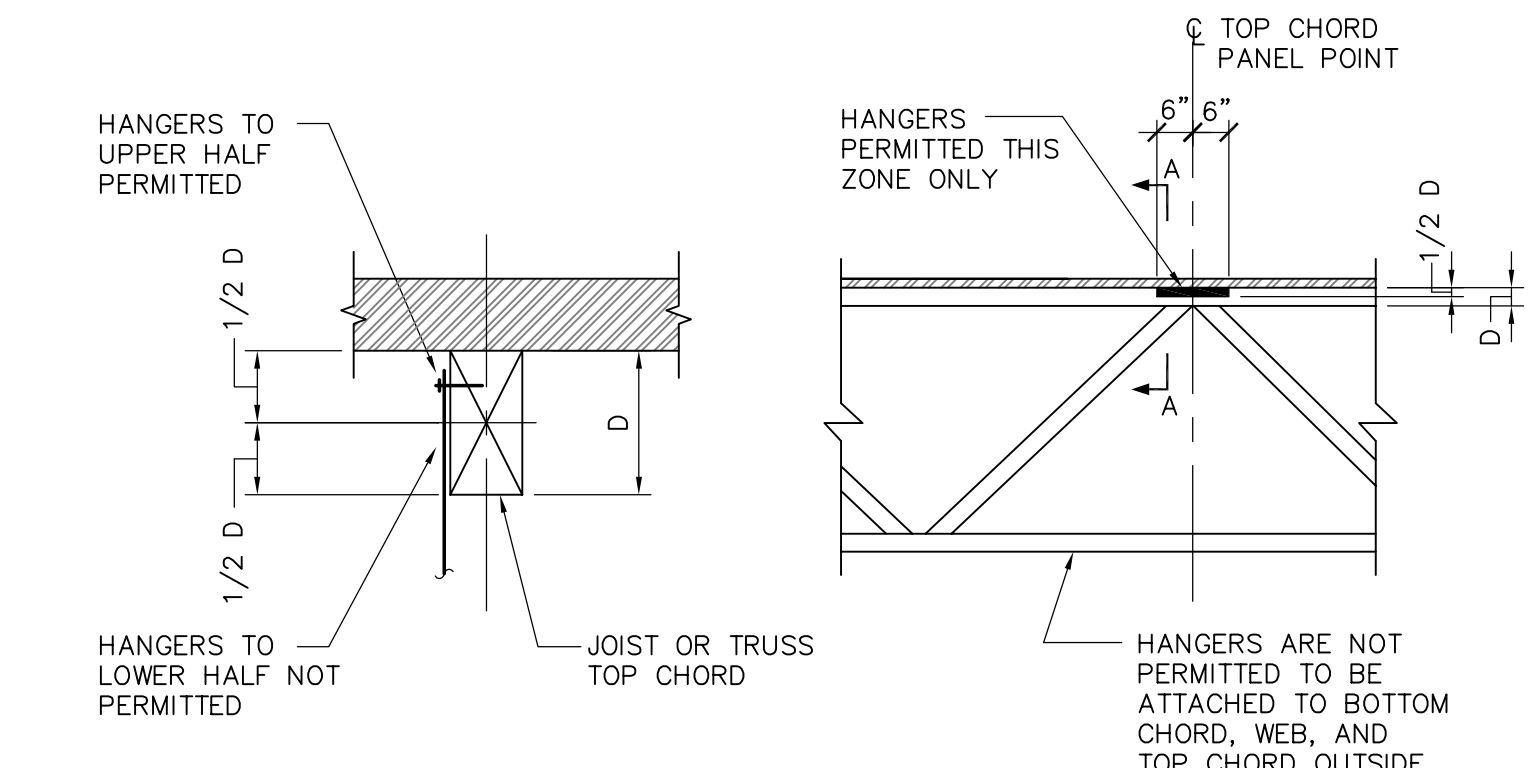
HEADER SCHEDULE FOR INTERIOR WALLS W/2x4 STUDS																
(UNLESS OTHERWISE NOTED ON DRAWINGS)																
MARK	ROUGH OPENING WIDTH	SUPPORTING ROOF			SUPPORTING ROOF + 1 FLOOR			SUPPORTING ROOF + 2 FLOORS			SUPPORTING ROOF + 3 FLOORS			SUPPORTING ROOF + 4 FLOORS		
		HEADER	JACK	JAMB	HEADER	JACK	JAMB	HEADER	JACK	JAMB	HEADER	JACK	JAMB	HEADER	JACK	JAMB
H	0'-0" TO 3'-2"	2-2x8	1-2x4	1-2x4	2-2x6	1-2x4	1-2x4	2-2x6	1-2x4	2-2x4	2-2x6	1-2x4	3-2x4	2-2x6	1-2x4	3-2x4
	>3'-2" TO 5'-2"	2-2x10	2-2x4	1-2x4	2-2x8	1-2x4	2-2x4	2-2x8	1-2x4	3-2x4	2-2x8	1-2x4	4x6	2-2x8	1-2x4	4x6
H2	SEE PLAN	2-2x10	3-2x4	1-2x4	2-2x8	1-2x4	4x4	2-2x8	1-2x4	4x4	2-2x8	1-2x4	4x6	2-2x8	1-2x4	4x6

HEADER SCHEDULE FOR INTERIOR WALLS W/2x6 STUDS																
(UNLESS OTHERWISE NOTED ON DRAWINGS)																
MARK	ROUGH OPENING WIDTH	SUPPORTING ROOF			SUPPORTING ROOF + 1 FLOOR			SUPPORTING ROOF + 2 FLOORS			SUPPORTING ROOF + 3 FLOORS			SUPPORTING ROOF + 4 FLOORS		
		HEADER	JACK	JAMB	HEADER	JACK	JAMB	HEADER	JACK	JAMB	HEADER	JACK	JAMB	HEADER	JACK	JAMB
H	0'-0" TO 3'-2"	-	-	-	3-2x8	1-2x6	1-2x6	3-2x8	1-2x6	2-2x6	3-2x8	1-2x6	2-2x6	3-1 3/4"x 7 1/4" LVL	2-2x6	2-2x6
	>3'-2" TO 5'-2"	-	-	-	3-1 3/4"x 7 1/4" LVL	2-2x6	1-2x6	3-1 3/4"x 7 1/4" LVL	2-2x6	2-2x6	3-1 3/4"x 7 1/4" LVL	2-2x6	3-2x6	3-1 3/4"x 7 1/4" LVL	2-2x6	6x6

1
S2.4

MEP/FP HANGER REQUIREMENTS TO WOOD FRAMING

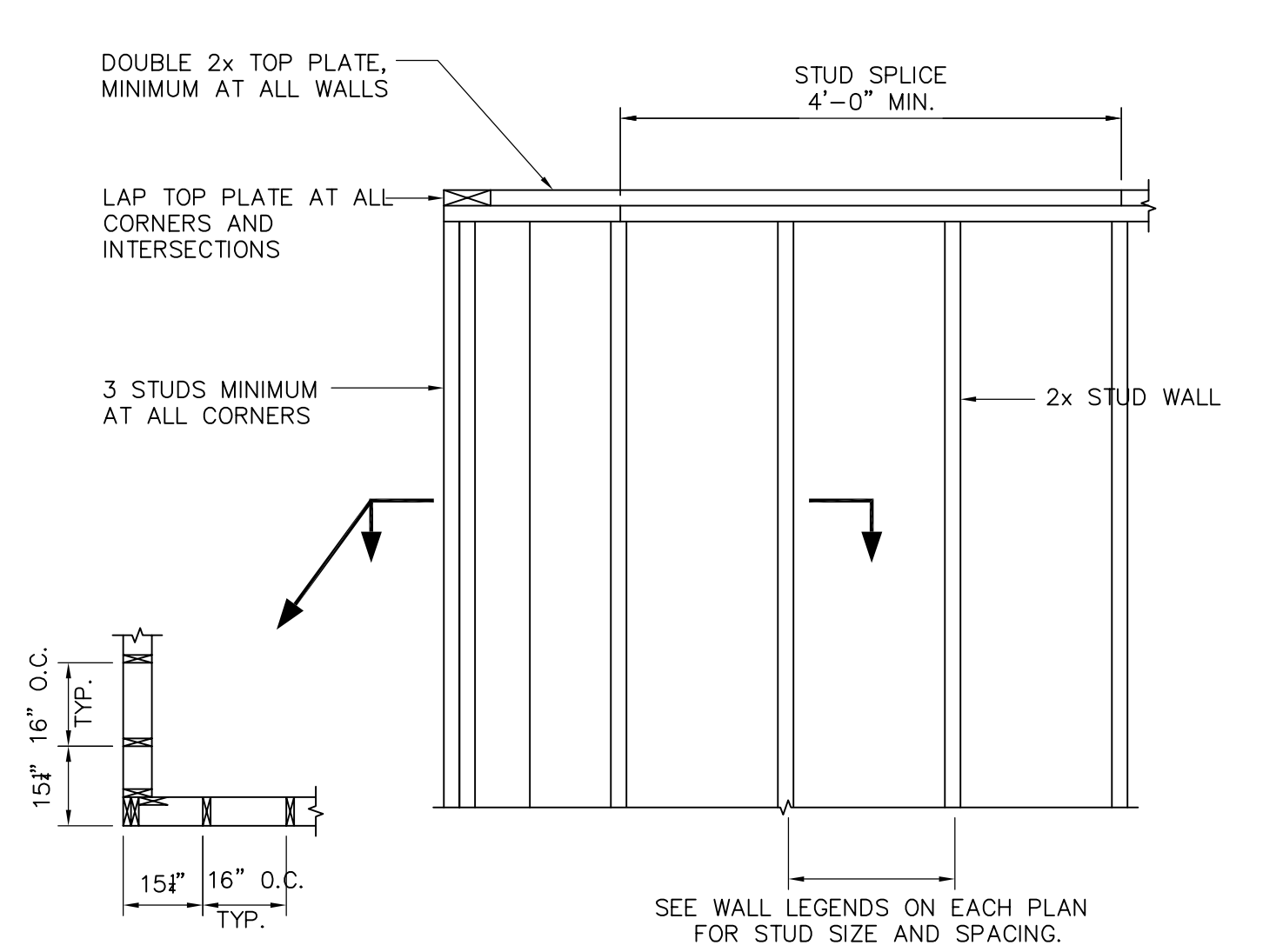
2
S2.4



DETAIL AT JOISTS & TRUSS TOP CHORDS (SECTION A-A)

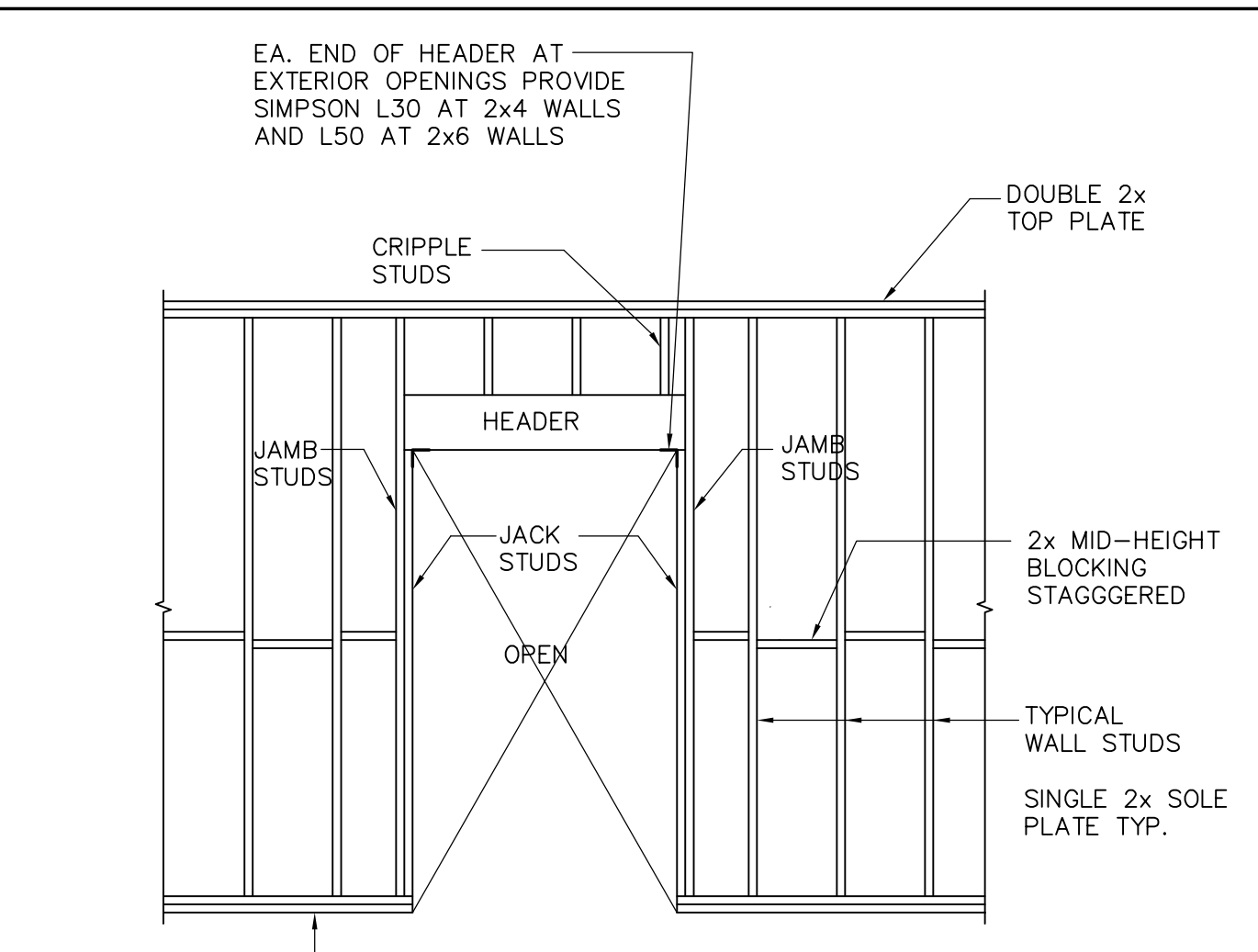
DETAIL AT TRUSSES

- NOTES:**
- REFER TO DIVISIONS 15 & 16 OF THE PROJECT SPECIFICATION FOR ADDITIONAL INFORMATION AND REQUIREMENTS.
 - HANGERS, ANCHORS, BRACING, UNISTRUT, CABLE TRAY, CLAMPS, ETC. USED TO SUPPORT MEP/FP EQUIPMENT SHALL BE DESIGNED BY THE APPLICABLE TRADES IN ACCORDANCE WITH NOTE A.2 ON DRAWING S1.1. DESIGN SHALL BE IN ACCORDANCE WITH THE GRAVITY AND SEISMIC RESTRAINT CRITERIA SPECIFIED IN THE APPLICABLE BUILDING CODE AND THE CODES AND STANDARDS REFERENCED IN THE CONTRACT DOCUMENTS.
 - DESIGN LOADS FOR SUPPORTS, BRACING, AND ANCHORS OF ALL TYPES SHALL BE THE OPERATING EQUIPMENT WEIGHT (i.e., PIPES CONSIDERED FILLED, ETC.).
 - HANGER AND ANCHOR TYPES SHOWN ARE FOR SCHEMATIC PURPOSES ONLY AND ARE NOT INTENDED TO SHOW THE FULL RANGE OF TYPES OR THE FULL REQUIREMENTS THAT WILL BE NEEDED TO SATISFY THE CONTRACT DOCUMENTS.
 - WOOD TRUSS SUPPLIER IS RESPONSIBLE FOR VERIFYING HANGERS INSTALLED OUTSIDE THE ACCEPTABLE ZONE NOTED ABOVE AND/OR HIGHLY LOADED HANGERS ATTACHED ANYWHERE ON TRUSSES.



WALL CORNER & TOP PLATE SPLICE DETAIL

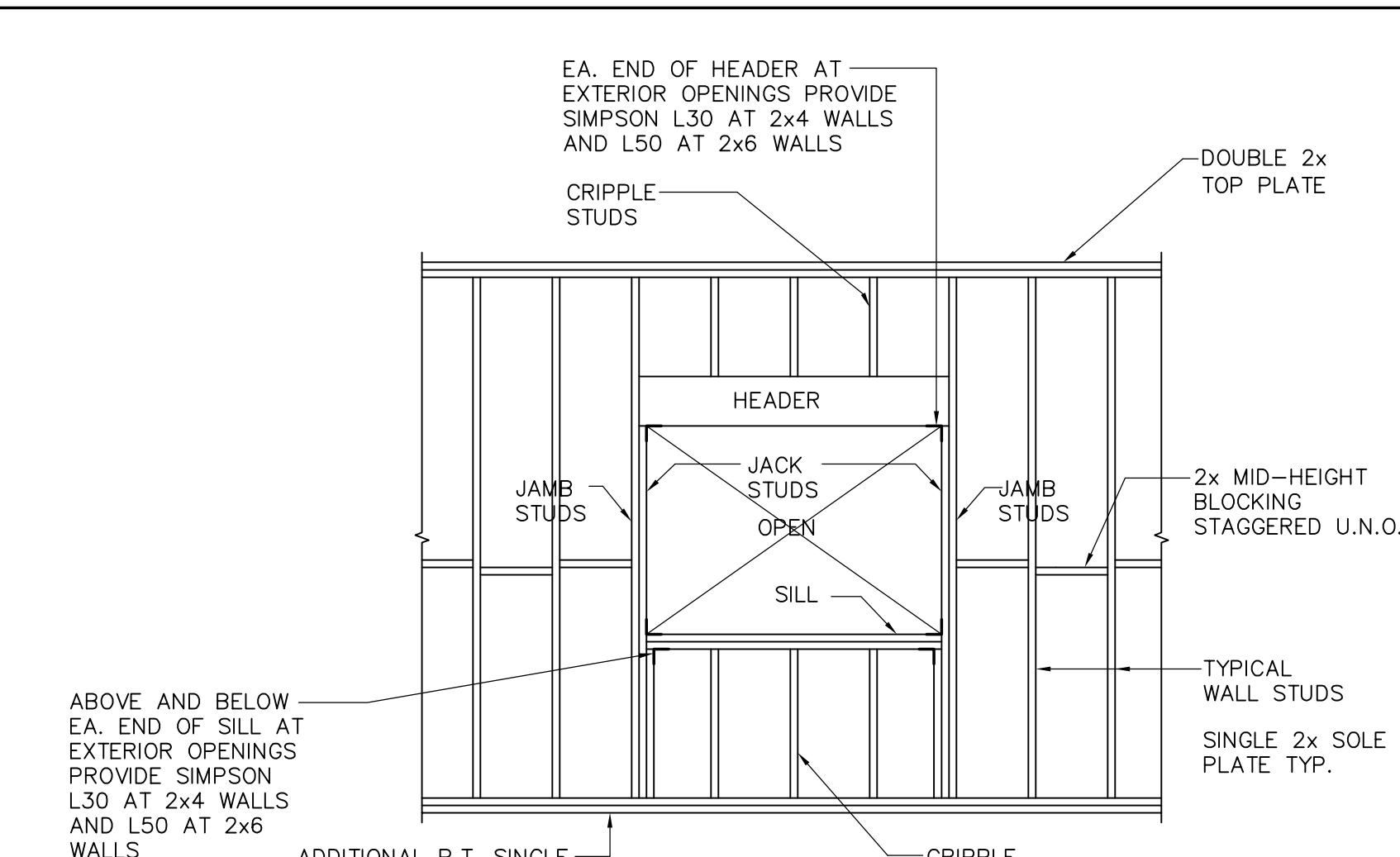
3
S2.4



- NOTES:**
- SEE WALL LEGENDS ON EACH PLAN FOR STUD SIZE AND SPACING.
 - SEE HEADER SCHEDULE FOR HEADER, JACK AND JAMB SIZES AND QUANTITIES.

WOOD FRAMING FOR DOOR FRAMING

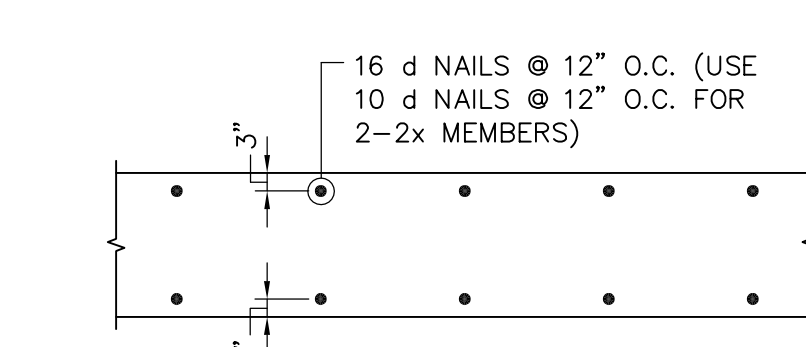
4
S2.4



- NOTES:**
- SEE WALL LEGENDS ON EACH PLAN FOR STUD SIZE AND SPACING.
 - SEE HEADER SCHEDULE FOR HEADER, JACK AND JAMB SIZES AND QUANTITIES.
 - PROVIDE 2-2x6 SILL FOR ROUGH OPENINGS 6'-0" AND SMALLER. PROVIDE 3-2x6 SILL FOR ROUGH OPENINGS UP TO 9'-0" WIDE.

WOOD FRAMING FOR WALL OPENING

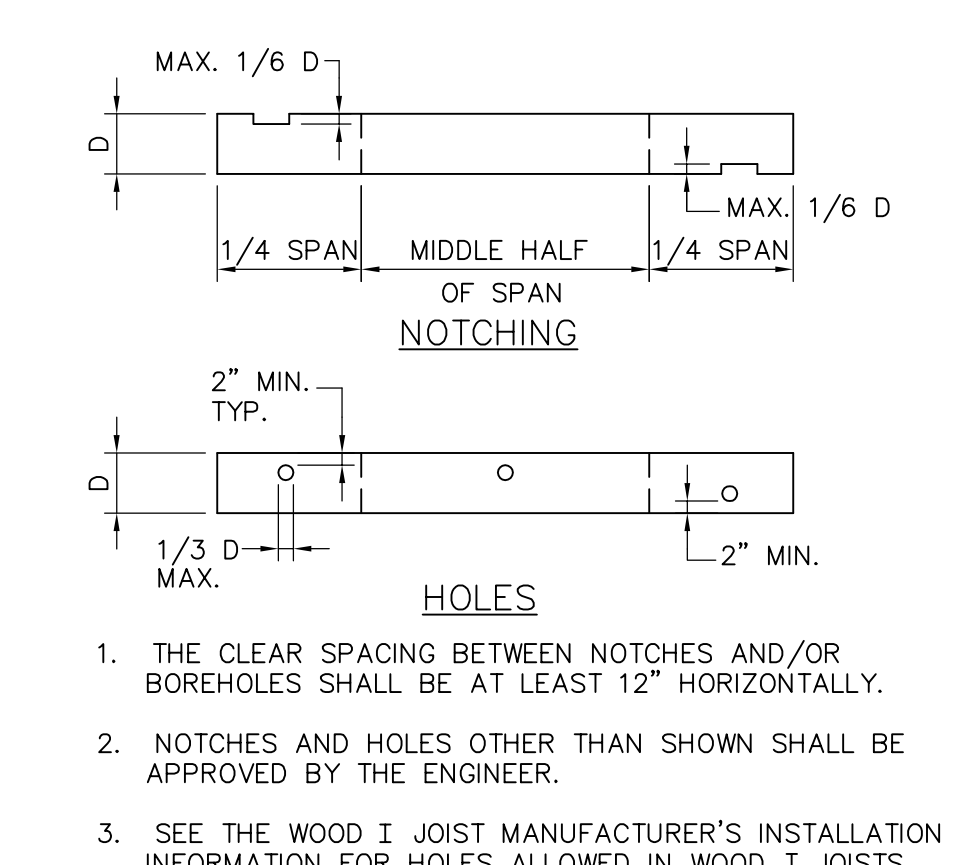
5
S2.4



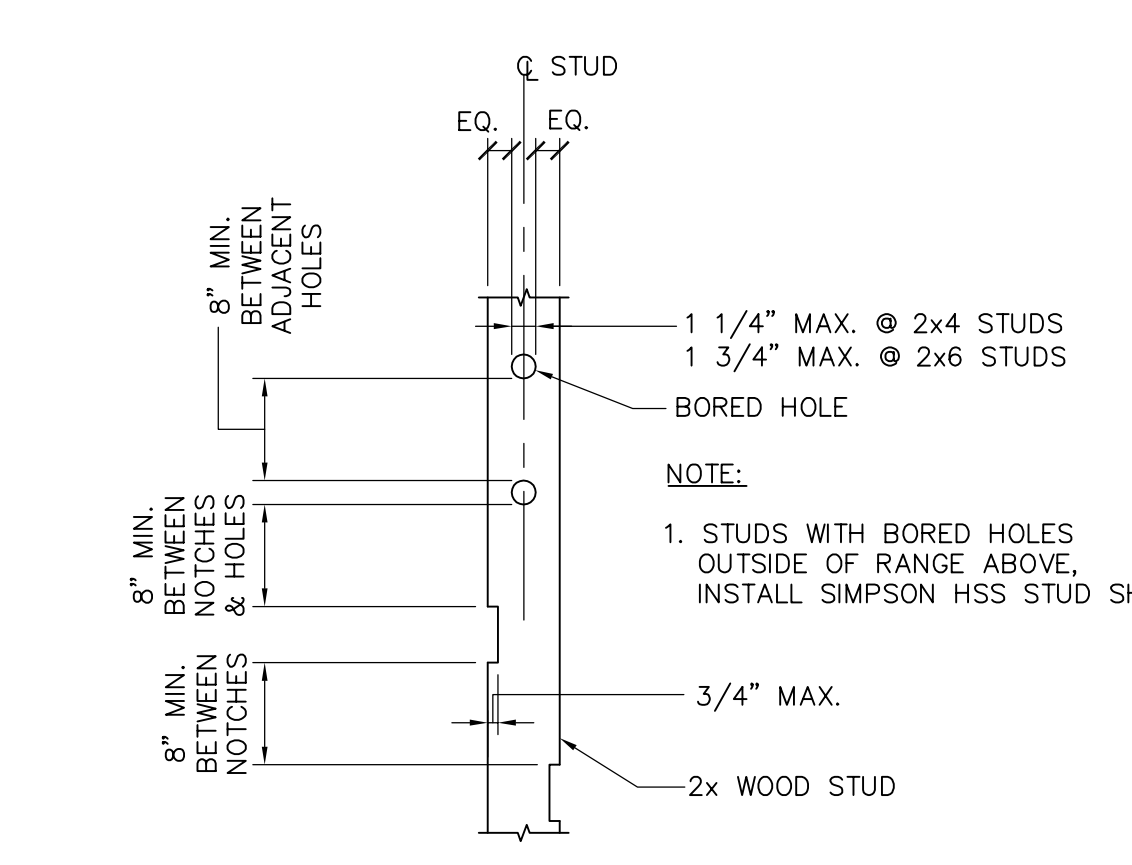
- NOTES:**
- APPLICABLE TO LVL & SAWN LUMBER BEAMS AND HEADERS.
 - USE DETAIL AS SHOWN FOR MEMBERS UP TO 12" DEEP. FOR DEEPER MEMBER PROVIDE ONE ADDITIONAL ROW OF NAILS @ C OF MEMBER.
 - FOR 3 PIECE MEMBERS, THE NAILING SPECIFIED IS FROM EACH SIDE.
 - FOR LVL MEMBERS FOLLOW STRICTER REQUIREMENTS OF THIS DETAIL OR THE MANUFACTURER'S REQUIREMENTS.

TYPICAL 2 & 3 PIECE MEMBER FASTENING DETAIL

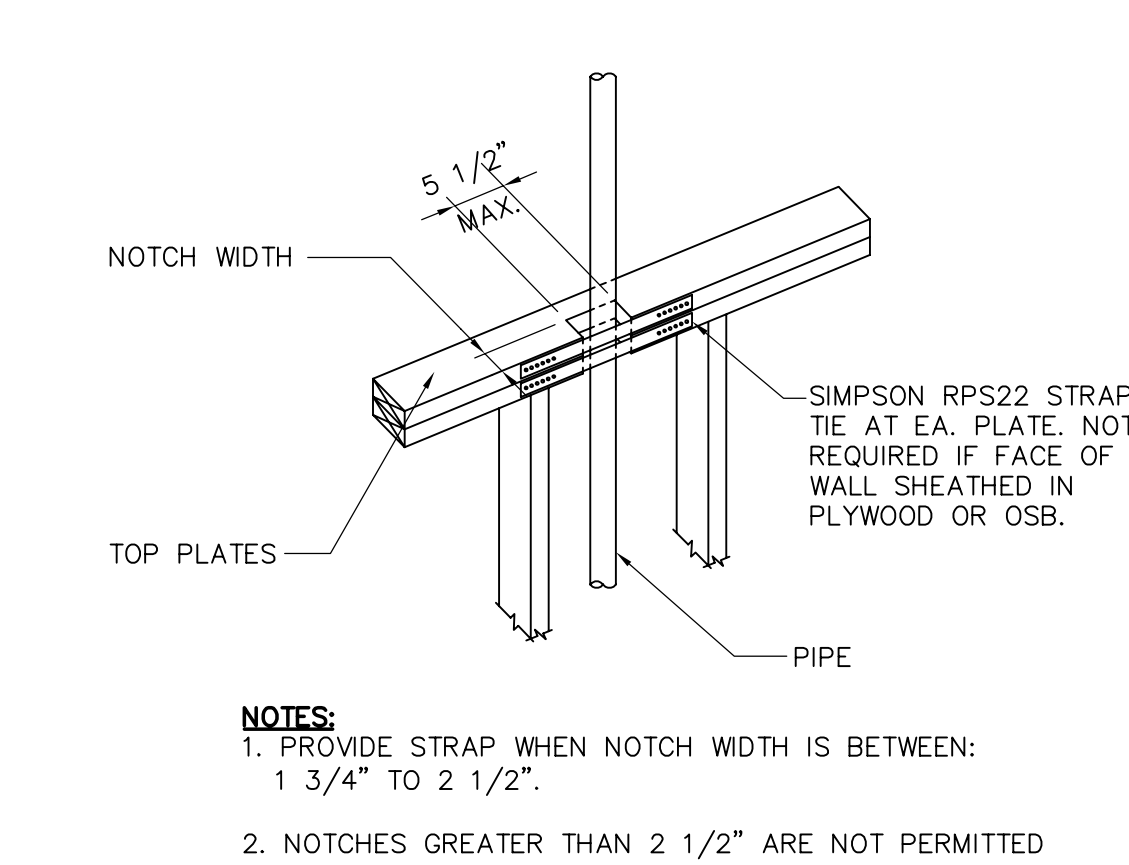
6
S2.4



NOTCHING AND HOLES ALLOWED IN WOOD JOISTS DETAIL



NOTCHING AND HOLES ALLOWED IN 2x WOOD STUDS DETAIL



NOTCHING ALLOWED IN 2x WALL TOP PLATES DETAIL

7
S2.4

Lynnfield Commons Unknown Street Lynnfield, Massachusetts	TYPICAL DETAILS
Russell Scott Steedle & Capone Architects Inc. 18 Brattle Street Cambridge Massachusetts 02138 • 617-661-5880 Fax 661-0613	Date: 08/31/07 0762
DM Berg Consultants P.C. Structural Engineers 370 Hillside Ave. Needham Massachusetts 02464 • 781-444-5156 Fax 444-5157	09/14/07 S2.4
	Scale: NONE