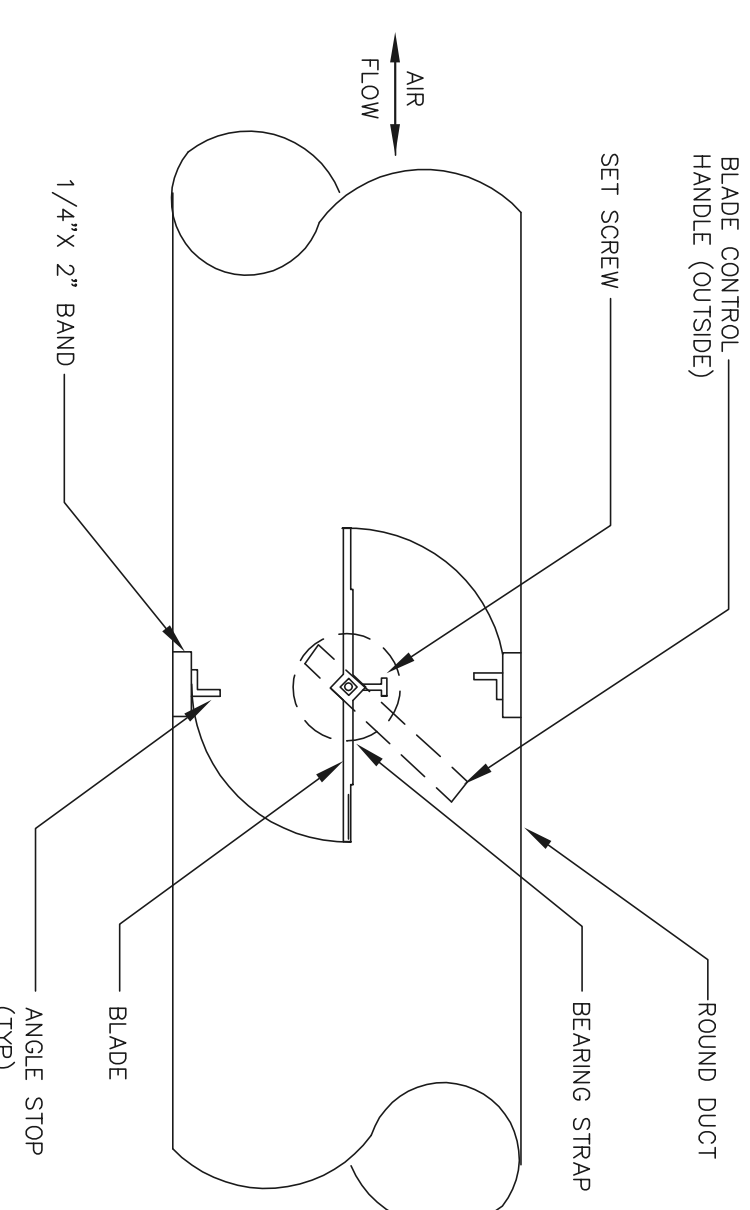


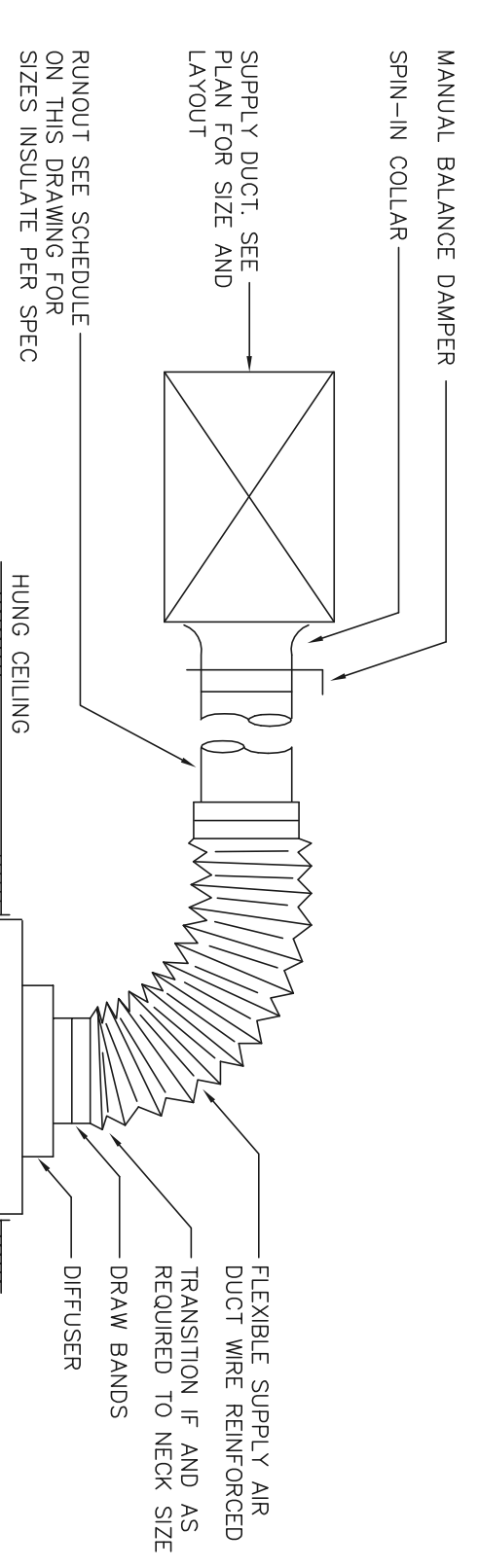
IN-LINE FAN DETAIL

Scale: None



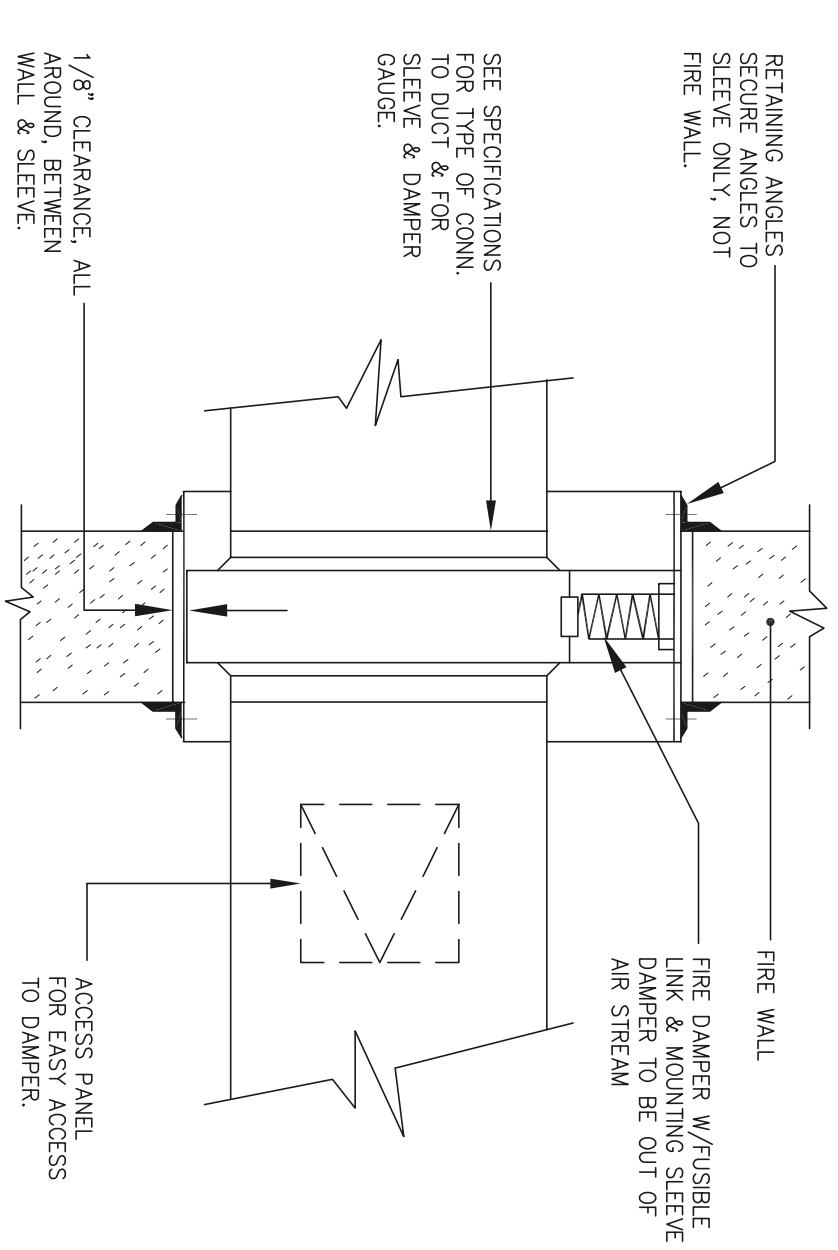
ROUND DUCT VOLUME DAMPER DETAIL

Scale: None



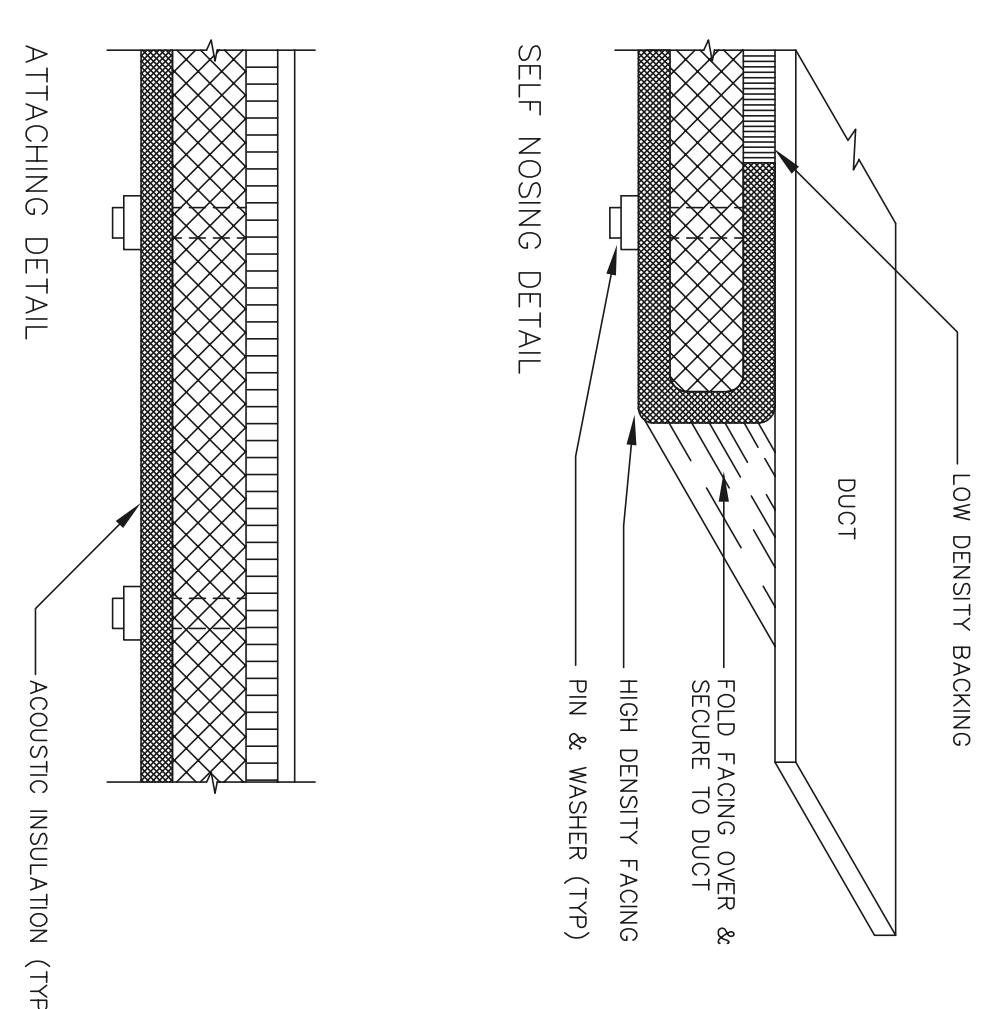
DIFFUSER DETAIL

Scale: None



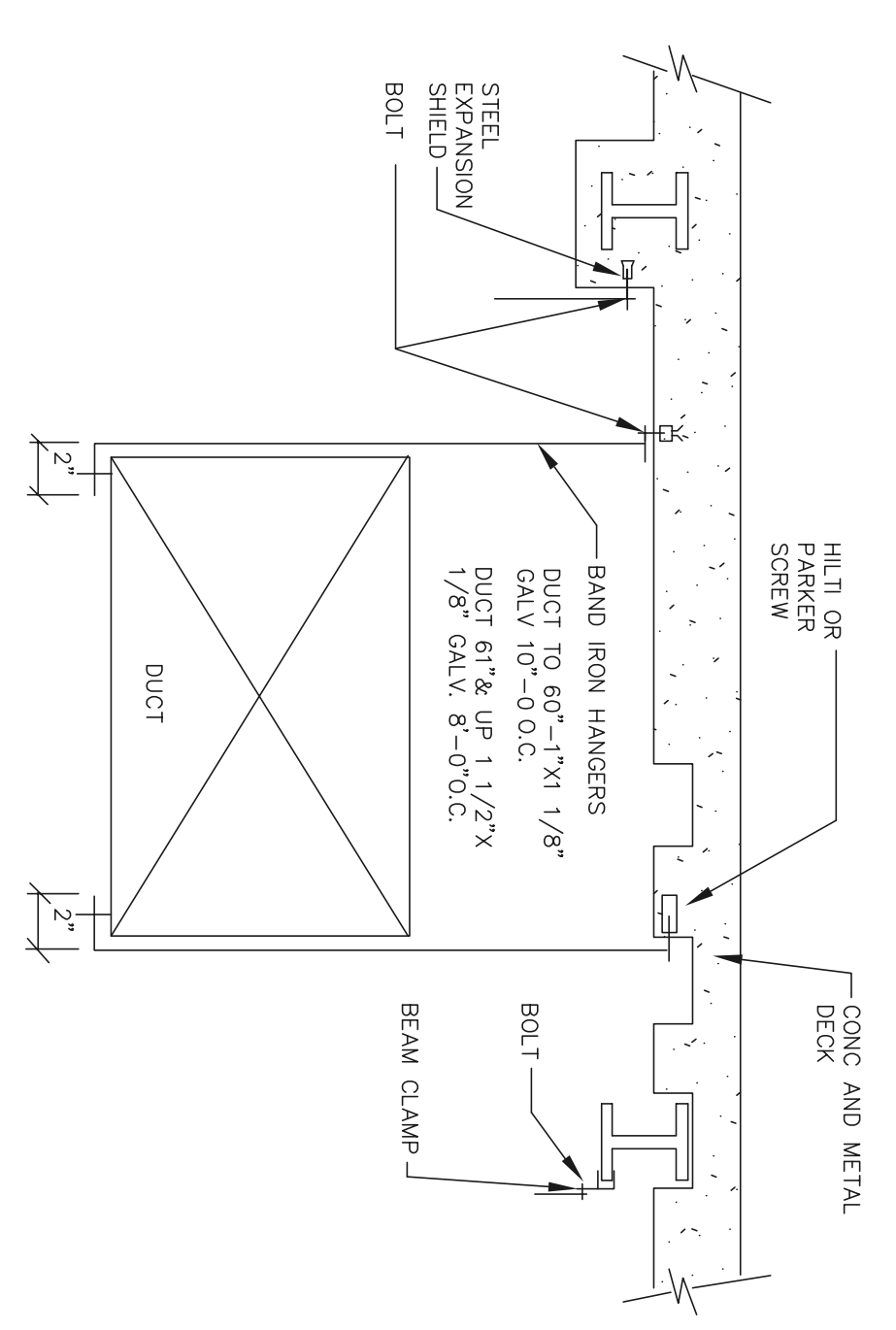
FIRE DAMPER DETAIL

Scale: None



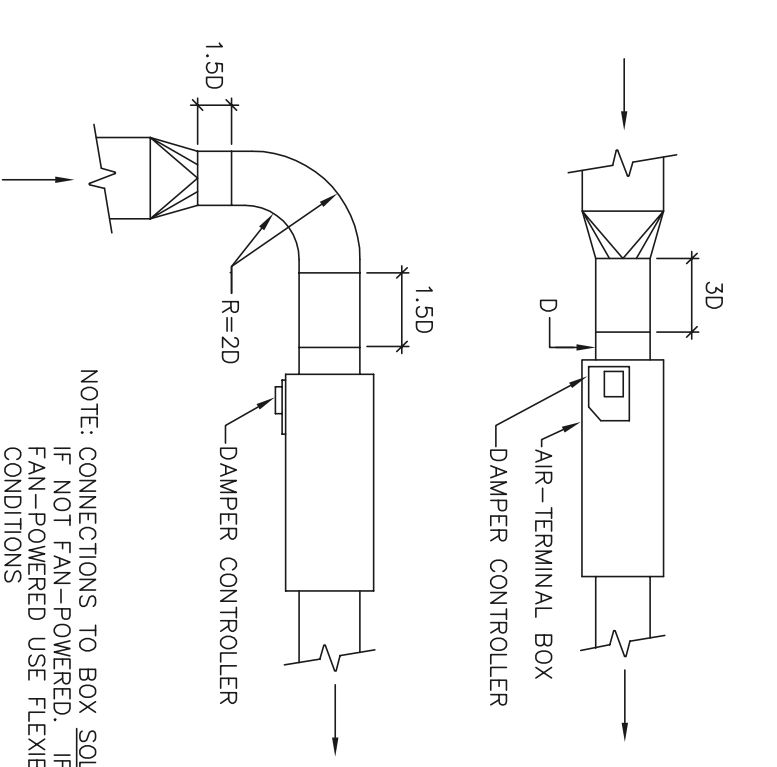
ACQUSTICAL DUCT LINING DETAIL

Scale: None



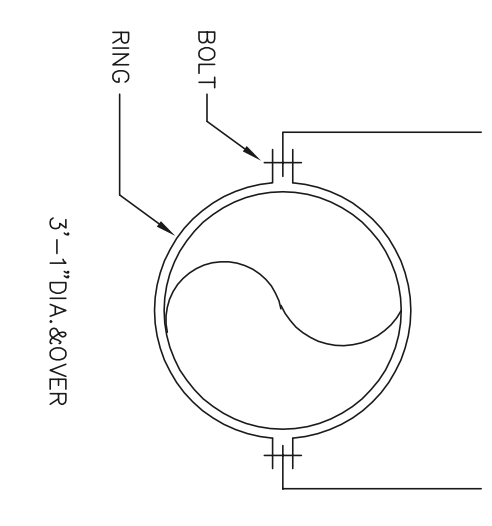
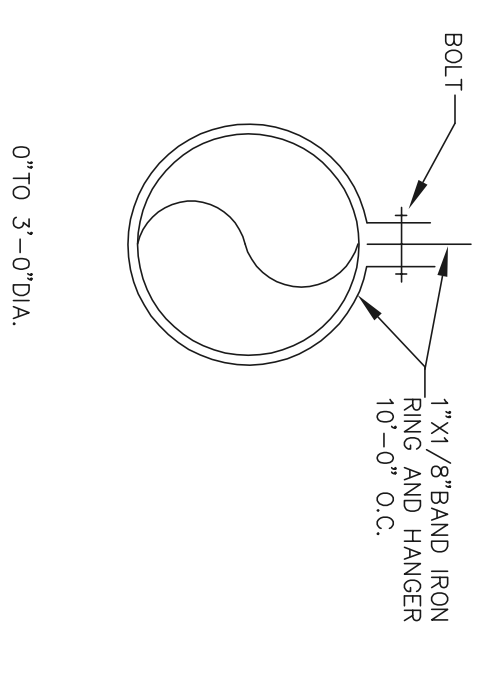
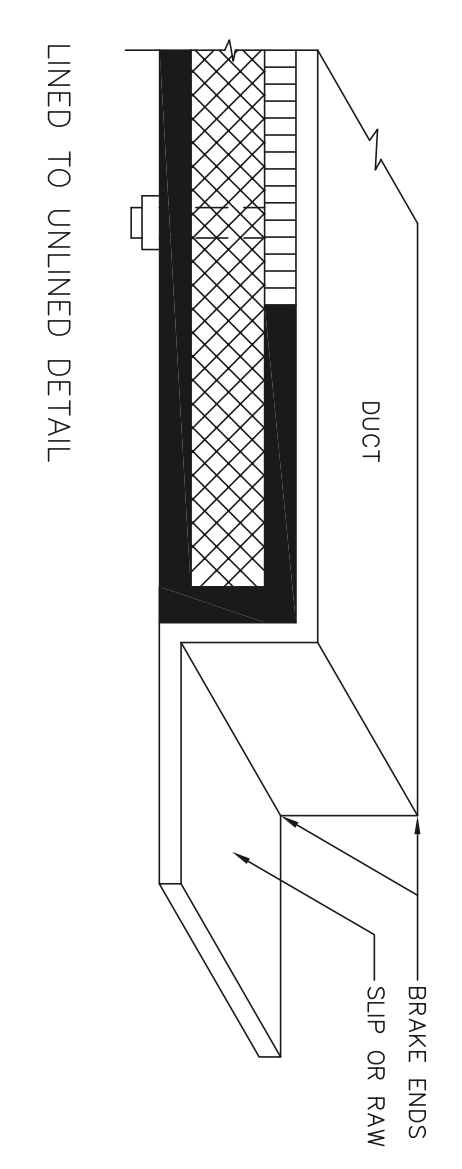
STANDARD HANGING DETAIL

Scale: None



AIR TERMINAL BOX CONNECTIONS (HARD DUCTED)

Scale: None



- NOTES:
1. BOX SENSOR SHALL BE ORIENTED IN SAME PLACE AS ELBOW AND RECOMMENDATION.
 2. IF INDICATED STRAIGHT RUN CANNOT BE OBTAINED.
- A FLOW-STRAIGHTENER SHALL BE PROVIDED AT BOX INLET.